

## Dimensional Document

# Viega MegaPress® Stainless XL Fittings

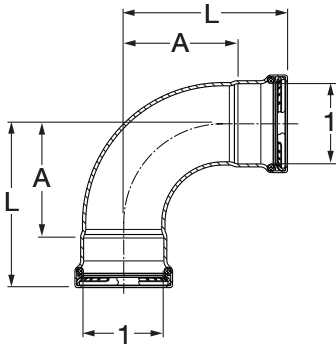


This document is subject to updates. For the most current Viega technical literature please visit [viega.us](http://viega.us).



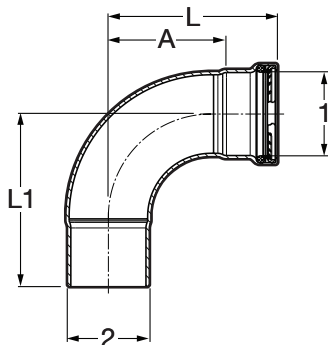
Viega products are designed to be installed by licensed and trained plumbing and mechanical professionals who are familiar with Viega products and their installation. **Installation by non-professionals may void Viega LLC's warranty.**

### MegaPress Stainless XL 90° Elbow P x P - Model 4116XL/5116XL

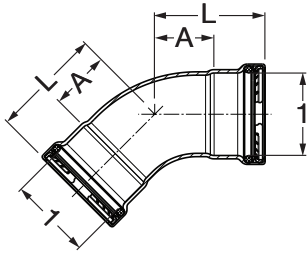


Part Number		Size (in)	A (in)	L (in)
304	316	1		
95500	90500	2½	4.15	5.94
95505	90505	3	4.76	7.09
95510	90510	4	6.00	9.17

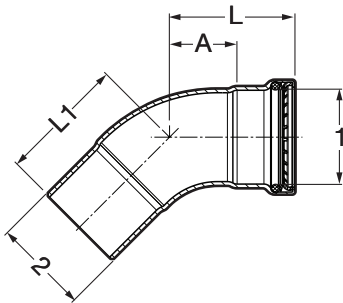
### MegaPress Stainless XL 90° Street Elbow P x FTG - Model 4116.1XL/5116.1XL



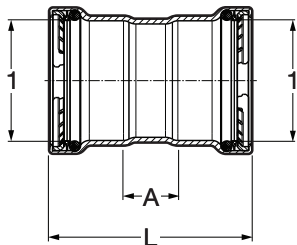
Part Number		Size (in)	A (in)	L (in)	L1 (in)
304	316	1 2			
95515	90515	2½ x 2½	4.15	5.94	6.06
95520	90520	3 x 3	4.76	7.09	6.81
95525	90525	4 x 4	6.00	9.17	8.78

**MegaPress Stainless XL 45° Elbow P x P - Model 4126XL/5126XL**


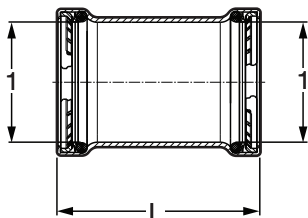
Part Number		Size (in)	A (in)	L (in)
304	316	1		
95530	90530	2½	2.10	3.90
95535	90535	3	2.26	4.56
95540	90540	4	2.74	5.89

**MegaPress Stainless XL 45° Street Elbow P x FTG - Model 4126.1XL/5126.1XL**


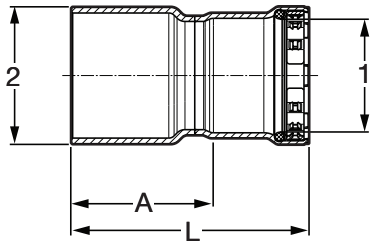
Part Number		Size (in)	A (in)	L (in)	L1 (in)
304	316	1 2			
95545	90545	2½ x 2½	2.10	3.90	3.95
95550	90550	3 x 3	2.26	4.56	4.34
95555	90555	4 x 4	2.74	5.89	5.62

**MegaPress Stainless XL Coupling with Stop P x P - Model 4115XL/5115XL**


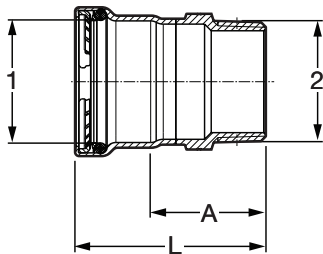
Part Number		Size (in)	A (in)	L (in)
304	316	1		
95645	90645	2½	1.32	4.92
95650	90650	3	1.38	5.98
95655	90655	4	1.57	7.87

**MegaPress Stainless XL Coupling No Stop P x P - Model 4115.5XL/5115.5XL**


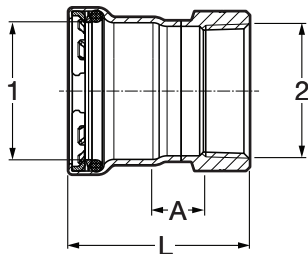
Part Number		Size (in)	L (in)
304	316	1	
95660	90660	2½	4.92
95665	90665	3	5.98
95670	90670	4	7.91

**MegaPress Stainless XL Reducer FTG x P - Model 4115.1XL/5115.1XL**


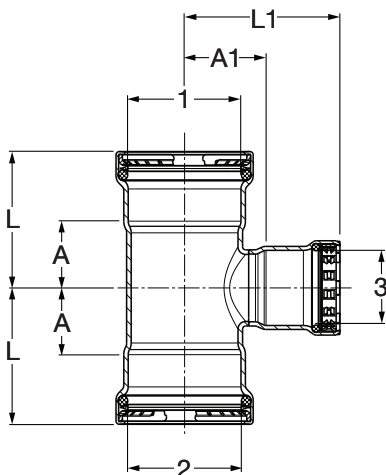
Part Number		Size (in)		A (in)	L (in)
304	316	1	2		
95675	90675	2½	2	2.97	4.96
95680	90680	3	2	3.76	5.75
95685	90685	3	2½	3.75	5.55
95690	90690	4	2	5.28	7.27
95695	90695	4	2½	5.27	7.06
95700	90700	4	3	5.03	7.33

**MegaPress Stainless XL Adapter P x MPT - Model 4111XL/5111XL**


Part Number		Size (in)		A (in)	L (in)
304	316	1	2		
95635	90635	2½	2½	2.75	4.55
95640	90640	3	3	2.89	5.20
95735	90735	4	4	3.03	6.21

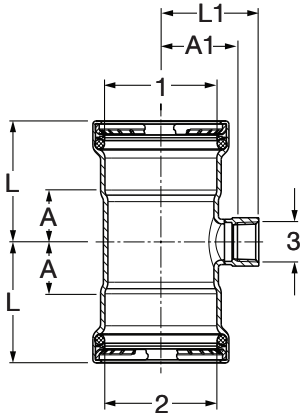
**MegaPress Stainless XL Adapter P x FPT - Model 4112XL/5112XL**


Part Number		Size (in)		A (in)	L (in)
304	316	1	2		
95770	90740	2½	2½	1.13	3.86
95775	90745	3	3	1.17	4.49
95780	90750	4	4	1.15	5.42

**MegaPress Stainless XL Tee P x P x P - Model 4118XL/5118XL**


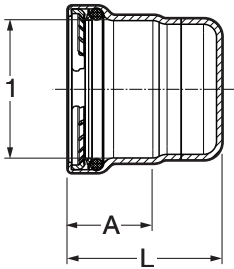
Part Number		Size (in)			A (in)	A1 (in)	L (in)	L1 (in)
304	316	1	2	3				
95575	90575	2½	2½	1½	1.72	2.08	3.52	3.95
95580	90580	2½	2½	2	2.16	2.05	3.96	4.04
95560	90560	2½	2½	2½	2.16	2.26	3.96	4.06
95590	90590	3	3	1½	1.80	2.33	4.13	4.20
95585	90585	3	3	2	2.11	2.30	4.41	4.29
95595	90595	3	3	2½	2.32	2.51	4.63	4.31
95565	90565	3	3	3	2.55	2.52	4.88	4.82
95600	90600	4	4	1½	1.86	2.90	5.04	4.77
95605	90605	4	4	2	2.18	2.87	5.35	4.86
95610	90610	4	4	2½	2.40	3.08	5.55	4.88
95615	90615	4	4	3	2.66	3.13	5.81	5.43
95570	90570	4	4	4	3.22	3.08	6.40	6.26

**MegaPress Stainless XL Tee P x P x FPT - Model 4117.2XL/5117.2XL**



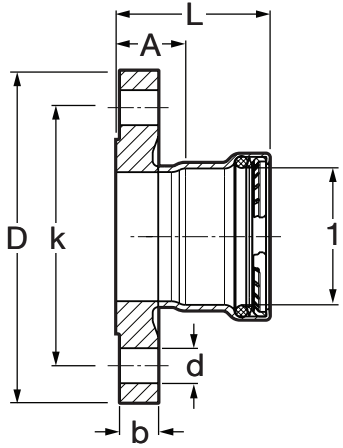
Part Number		Size (in)	A (in)	A1 (in)	L (in)	L1 (in)
304	316	1 2 3				
95620	90620	2½ x 2½ x ¾	1.35	2.00	3.15	2.55
95625	90625	3 x 3 x ¾	1.44	2.24	3.74	2.80
95630	90630	4 x 4 x ¾	1.55	2.76	4.72	3.31

**MegaPress Stainless XL Cap P - Model 4156.1XL/5156.1XL**

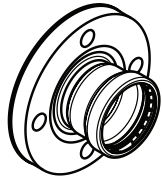


Part Number		Size (in)	A (in)	L (in)
304	316	1		
95705	90705	2½	1.80	3.27
95710	90710	3	2.30	3.82
95715	90715	4	3.18	4.67

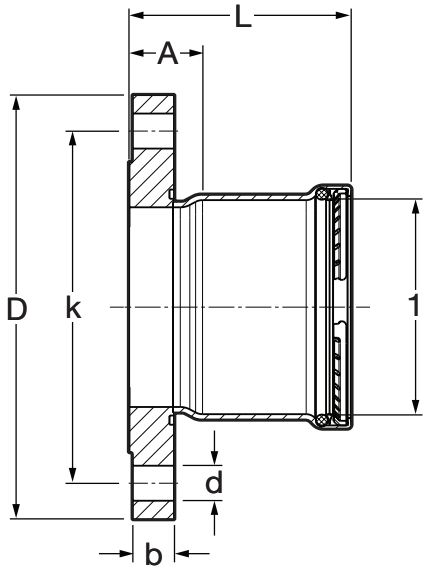
**MegaPress Stainless XL Adapter Flange P - Model 4159XL/5159XL**



Part Number	Size (in)	A (in)	L (in)	b (in)	k (in)	D (in)	d (in)	
304	316	1						
95720	90720	2½	1.54	3.33	0.89	5.51	7.09	0.75
95725	90725	3	1.65	3.95	0.96	5.98	7.48	0.75



**MegaPress Stainless XL Adapter Flange P - Model 4159XL/5159XL**



Part Number	Size (in)	A (in)	L (in)	b (in)	k (in)	D (in)	d (in)	
304	316	1						
95730	90730	4	1.63	4.80	0.96	7.52	9.06	0.75

