

## For Residential Applications

Job Name \_\_\_\_\_  
 Job Location \_\_\_\_\_  
 Engineer \_\_\_\_\_  
 Approval \_\_\_\_\_

Contractor \_\_\_\_\_  
 Approval \_\_\_\_\_  
 Contractor's P.O. No. \_\_\_\_\_  
 Representative \_\_\_\_\_

# LEAD FREE\*

## Series LFSS, LFST, LFSWS, LFSWT

### Stop Valves, Stop and Waste Valves

Sizes: 1/2" – 3/4" LFSS, LFST  
 3/8" – 3/4" LFSWS, LFSWT

#### Models

**Model LFSS** – Sizes 1/2", 3/4" solder connections

**Model LFST** – Sizes 1/2", 3/4" NPT female connections

**Model LFSWS** – Sizes 3/8", 1/2", 3/4" solder connections

**Model LFSWT** – Sizes 3/8", 1/2", 3/4" threaded connections

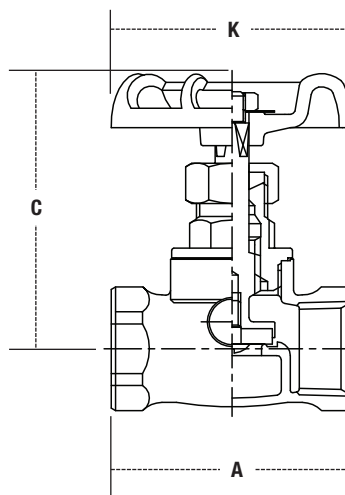
#### Pressure – Temperature

**Maximum Working Pressure:** 150psi (10.3 bars) WOG.

**Maximum Temperature:** 180°F (82°C).



LFSWT

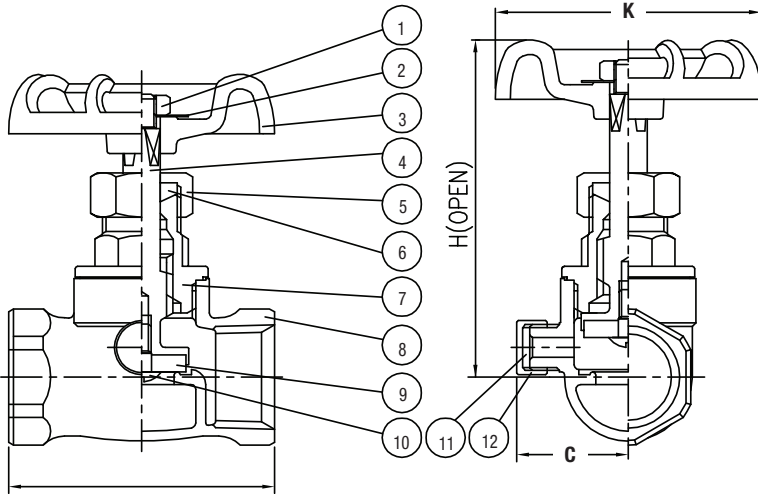


\*The wetted surface of this product contacted by consumable water contains less than 0.25% of lead by weight.

MODEL	SIZE	DIMENSIONS						WEIGHT	
		A		C		K		lbs	kgs
	in	in	mm	in	mm	in	mm		
LFSS	1/2	2 <sup>3</sup> / <sub>16</sub>	55	2 <sup>9</sup> / <sub>16</sub>	65	2 <sup>1</sup> / <sub>16</sub>	53	0.44	0.20
LFSS	3/4	2 <sup>11</sup> / <sub>16</sub>	69	2 <sup>1</sup> / <sub>2</sub>	63	2 <sup>1</sup> / <sub>16</sub>	53	0.51	0.23
LFSWS	3/8	1 <sup>3</sup> / <sub>8</sub>	35	2 <sup>15</sup> / <sub>16</sub>	75	2	51	0.50	0.20
LFSWS	1/2	1 <sup>3</sup> / <sub>8</sub>	35	2 <sup>15</sup> / <sub>16</sub>	75	2	51	0.50	0.20
LFSWS	3/4	1 <sup>1</sup> / <sub>4</sub>	32	2 <sup>15</sup> / <sub>16</sub>	75	2	51	0.50	0.20
LFST	1/2	2 <sup>1</sup> / <sub>8</sub>	54	2 <sup>3</sup> / <sub>8</sub>	60	1 <sup>5</sup> / <sub>8</sub>	42	0.53	0.24
LFST	3/4	2 <sup>1</sup> / <sub>8</sub>	54	2 <sup>3</sup> / <sub>8</sub>	60	1 <sup>5</sup> / <sub>8</sub>	42	0.57	0.26
LFSWT	1/2	2 <sup>1</sup> / <sub>8</sub>	54	2 <sup>1</sup> / <sub>2</sub>	64	2	51	0.40	0.20
LFSWT	3/4	2 <sup>1</sup> / <sub>4</sub>	57	2 <sup>5</sup> / <sub>8</sub>	67	2	51	0.80	0.30

Watts product specifications in U.S. customary units and metric are approximate and are provided for reference only. For precise measurements, please contact Watts Technical Service. Watts reserves the right to change or modify product design, construction, specifications, or materials without prior notice and without incurring any obligation to make such changes and modifications on Watts products previously or subsequently sold.





No.	Part	Material
1	Hand Wheel Nut	Carbon Steel
2	Name Plate	Aluminum
3	Hand Wheel	Cast Iron
4	Stem	Lead free brass
5	Packing Nut	Brass
6	Gland Packing	Rubber
7	Bonnet	Lead free brass
8	Body	Lead free brass
9	Seat Packing	Rubber
10	Seat Packing Screw	Brass
11	Drain Packing	Rubber
12	Drain Cup Nut	Rubber



A Watts Water Technologies Company



USA: Tel: (978) 688-1811 • Fax: (978) 794-1848 • www.watts.com  
Canada: Tel: (905) 332-4090 • Fax: (905) 332-7068 • www.watts.ca