

For Residential and Commercial Applications

Job Name _____

Contractor _____

Job Location _____

Approval _____

Engineer _____

Contractor's P.O. No. _____

Approval _____

Representative _____

LEAD FREE*

Series LFIPF-HV Isolation Pump Flanges for Circulator Pumps

Sizes: ¾" – 2"

Series LFIPF-HV Isolation Pump Flanges are designed to isolate circulator pumps to facilitate circulator pump replacement or repair.

Features

- Lead Free* Brass body and flange
- Adjustable Virgin PTFE packing
- Buna-N stem O-ring seal
- Supplied with lever handle
- Virgin PTFE seats
- Bottom loaded, blowout proof stem

Models

LFIPFM1-T-HV ¾" – 1½" NPT threaded end connection

LFIPFM1-S-HV ¾" – 1½" Solder end connection

LFIPFM2-T-HV 2" NPT threaded end connection

LFIPFM2-S-HV 2" solder end connection

Specifications

Approved isolation pump flange of 2-piece design constructed of Lead Free brass body and end adaptor. Pump flange shall have adjustable PTFE packing and a Buna-N O-ring on a Lead Free brass stem with virgin PTFE seats. Valve to be pressure rated to 600psi (41.4 bar) WOG. Valves rated to 400psi (27.6 bar) WOG or less are not acceptable. The pump flange shall be constructed using Lead Free* brass material. Lead Free* pump flange shall comply with sale codes and standards where applicable requiring reduced lead content. Approved valve is a Watts Regulator Company Series LFIPF-M1-T-HV (threaded) or LFIPFM1-S-HV (solder).



LFIPFM1-S-HV

LFIPFM1-T-HV

*This valve is designed to be soft soldered into lines without disassembly, using a low temperature solder to 420°F (216°C). Higher temperature solders may damage the seat material.

Apply heat with the flame directed AWAY from the center of the valve body. Excessive heat can harm the seats.

NOTICE

The information contained herein is not intended to replace the full product installation and safety information available or the experience of a trained product installer. You are required to thoroughly read all installation instructions and product safety information before beginning the installation of this product.

NOTICE

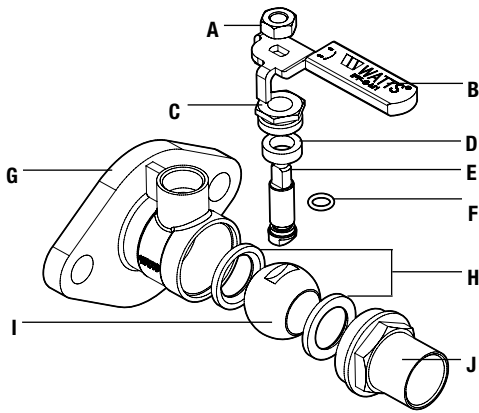
Inquire with governing authorities for local installation requirements

*The wetted surface of this product contacted by consumable water contains less than 0.25% of lead by weight.

Watts product specifications in U.S. customary units and metric are approximate and are provided for reference only. For precise measurements, please contact Watts Technical Service. Watts reserves the right to change or modify product design, construction, specifications, or materials without prior notice and without incurring any obligation to make such changes and modifications on Watts products previously or subsequently sold.

WATTS®

Materials

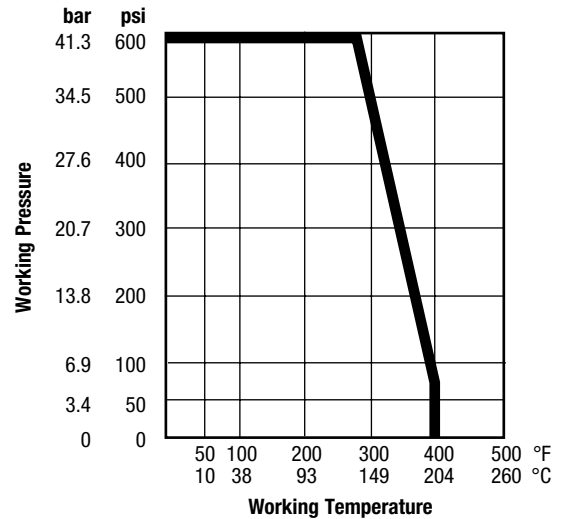


A	Handle nut	Steel
B	Handle	Steel with vinyl insulator
C	Packing Nut	Brass
D	Stem Packing	Virgin PTFE
E	Stem	Lead Free Brass
F	Stem O-ring	BUNA-N
G	Body/Flange	Lead Free Brass
H	Seats	Virgin PTFE
I	Ball	Chrome-plated Lead Free Brass
J	Adapter	Lead Free Brass

Pressure – Temperature

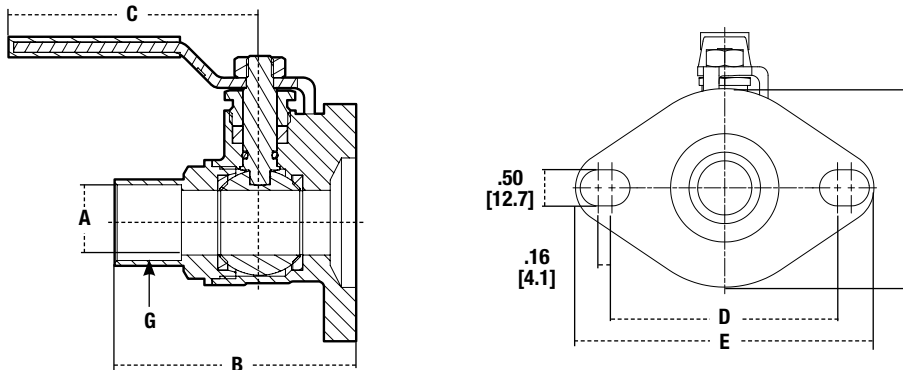
Maximum Working Pressure: 600psi (41.4 bar) WOG
 Maximum Temperature: 406°F (208°C) at 100psi (6.9 bar)

Temperature – Pressure Rating



* See applicable note on reverse side for solder end valves with regards to pressure/temperature rating.

Dimensions – Weights



SIZE	DIMENSIONS										WEIGHT					
	A		B		C		D		E		F		G			
in.	in.	mm	in.	mm	in.	mm	in.	mm	in.	mm	in.	mm	in.	lbs.	kg	
LFIPFM1-T-HV																
3/4	3/4	19	2 1/4	54	3	77	3 3/8	80	4 5/8	118	2 11/16	69	3/4	NPT	1.3	.61
1	1	25	2 5/8	63	3	77	3 3/8	80	4 5/8	118	2 11/16	69	1	NPT	1.6	.72
1 1/4	1 1/4	31	2 3/16	72	4	107	3 3/8	80	4 5/8	118	2 11/16	69	1 1/4	NPT	2.1	.97
1 1/2	1 1/2	39	3 1/4	79	4	107	3 3/8	80	4 5/8	118	2 11/16	69	1 1/2	NPT	2.5	1.13
LFIPFM2-T-HV																
2	1 7/8	47	4 5/16	110	4	107	3 3/8	87	4 5/8	118	2 11/16	69	2	NPT	2.5	1.16
LFIPFM1-S-HV																
3/4	3/4	19	2 1/8	54	3	77	3 3/8	80	4 5/8	118	2 11/16	69	—	—	1.3	.60
1	1	25	2 1/2	63	3	77	3 3/8	80	4 5/8	118	2 11/16	69	—	—	1.6	.72
1 1/4	1 1/4	31	2 3/16	72	4	107	3 3/8	80	4 5/8	118	2 11/16	69	—	—	2.1	.97
1 1/2	1 1/2	39	3 3/8	79	4	107	3 3/8	80	4 5/8	118	2 11/16	69	—	—	2.5	1.13
LFIPFM2-S-HV																
2	1 7/8	47	4 7/8	124	4	107	3 3/8	87	4 5/8	118	2 11/16	69	—	—	3.0	1.36

