

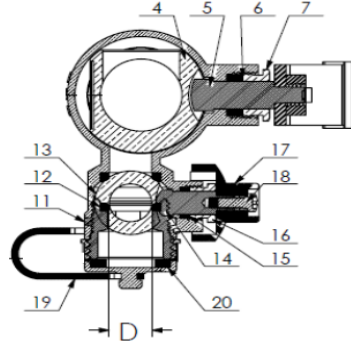
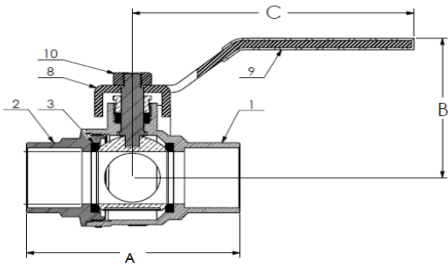


H-x461 Series

Pro-Pal Ball Drain
 Full Port Forged Brass Ball Valve
 w/ Hi-Flow Hose Drain,
 Reversible Handle
 & Adjustable Packing Glands

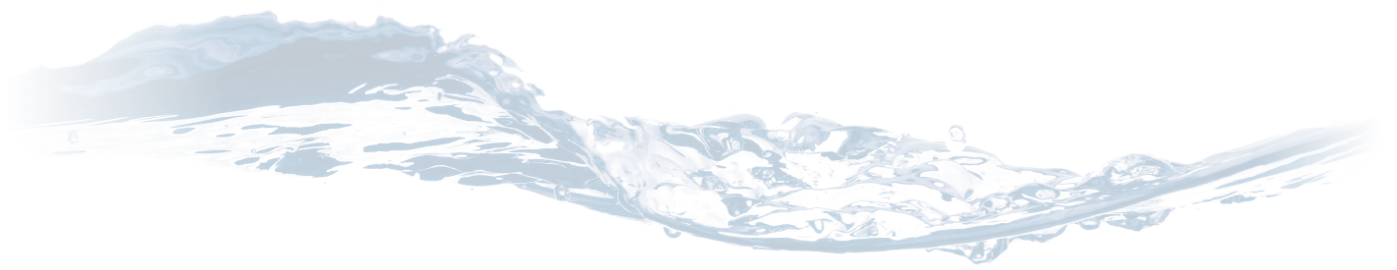


NO.	DESCRIPTION	MATERIAL
1	Body	Brass
2	End Cap	Brass
3	Seat	PTFE
4	Ball	Brass HCP
5	Stem	Brass
6	Stem Seal	PTFE
7	Packing Gland	Brass
8	Lever Handle	Steel CP
9	Handle Jacket	Vinyl
10	Handle Nut	Stainless Steel
11	End Cap	Brass
12	Seat	PTFE
13	Ball	Brass HCP
14	Stem	Brass
15	Stem Seal	PTFE
16	Packing Gland	Brass
17	Handle	Enamel Coated Aluminum
18	Handle Screw	Brass
19	Cap & Strap	Brass W/ PVC Strap
20	Washer	EPDM



Designed for residential, commercial, or industrial use. This approved Webstone valve is actuated by a blowout proof stem.

ITEM#	Connection Type	SIZE (in)	Max Temp	Pressure Rating	A	B	C	D
H-54612	SWT x FIP	1/2	250°F Max	500 PSI CWP Max	2.06	2.00	3.88	0.50
H-54613	SWT x FIP	3/4	250°F Max	500 PSI CWP Max	2.75	2.06	3.88	0.50
H-54614	SWT x FIP	1	250°F Max	500 PSI CWP Max	3.38	2.63	4.63	0.50
H-84613	Press x FIP	3/4	250°F Max	250 PSI CWP Max	0.75	3.52	2.63	3.50
H-84614	Press x FIP	1	250°F Max	250 PSI CWP Max	1.00	3.95	2.63	4.65



H-x461W Series

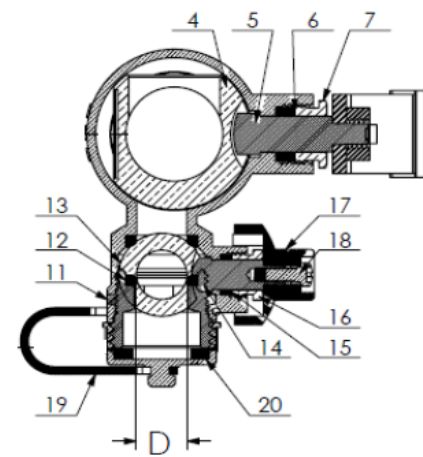
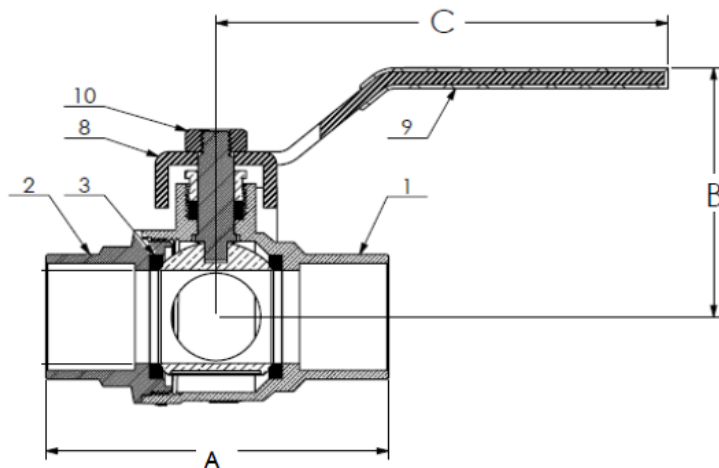
Pro-Pal Ball Drain
 Full Port Forged Brass Ball Valve
 w/ Hi-Flow Hose Drain,
 Reversible Handle
 & Adjustable Packing Glands

Certifications

Certified to NSF/ANSI 61 & 372
 Lead-Free



NO.	DESCRIPTION	MATERIAL
1	Body	Lead Free DZR Brass
2	Cap	Lead Free DZR Brass
3	Seat	PTFE
4	Ball	Brass HCP
5	Stem	Brass
6	Packing	PTFE
7	Packing Gland	Brass
8	Handle	Steel CP
9	Handle Jacket	Vinyl
10	Handle Nut	Stainless Steel
11	Cap	Brass
12	Seat	PTFE
13	Ball	Brass HCP
14	Stem	Brass
15	Packing	PTFE
16	Packing Gland	Brass
17	Handle	Aluminum
18	Handle Screw	Brass
19	Cap & Strap	Brass W/ PVC Strap
20	Gasket	EPDM



Designed for residential, commercial or industrial use. This approved Webstone valve is actuated by a blowout proof stem.

ITEM#	Connection Type	SIZE (in)	Pressure Rating	Max Temp	A	B	C	D
H-54612W	SWT x FIP	1/2	600 PSI CWP Max	250°F Max	2.06	2.00	3.88	0.50
H-54613W	SWT x FIP	3/4	600 PSI CWP Max	250°F Max	2.75	2.06	3.88	0.50
H-54614W	SWT x FIP	1	600 PSI CWP Max	250°F Max	3.38	2.63	4.63	0.50

