



## H-x064W Series

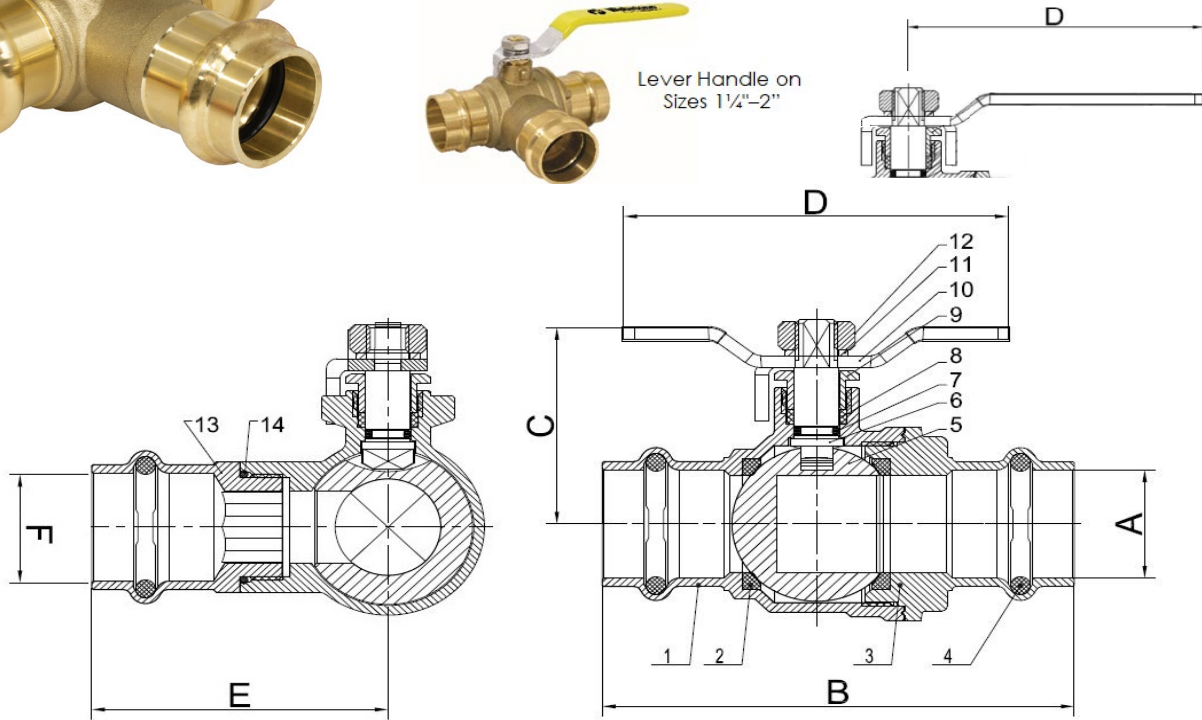
Pro-Pal 3-Way L-Port Ball Valve  
 Forged DZR Brass Ball Valve  
 w/ Dual Stem Seal Design

### Certifications

Certified to NSF/ANSI 61 & 372  
 Lead-Free



| NO. | DESCRIPTION   | MATERIAL                |
|-----|---------------|-------------------------|
| 1   | Body          | Lead-Free DZR Brass     |
| 2   | Seat          | PTFE                    |
| 3   | Cap           | Lead-Free DZR Brass     |
| 4   | O-Ring        | EPDM                    |
| 5   | Ball          | Brass HCP               |
| 6   | Stem          | Brass                   |
| 7   | O-Ring        | EPDM                    |
| 8   | Packing       | PTFE                    |
| 9   | Packing Gland | Brass                   |
| 10  | Handle        | Stainless Steel and PVC |
| 11  | Lock Washer   | Stainless Steel         |
| 12  | Nut           | Stainless Steel         |
| 13  | Side Port Cap | Lead Free Brass         |
| 14  | O-Ring        | EPDM                    |



Designed for residential, commercial or industrial use with water, oil or glycol mix. This approved Webstone valve is actuated by a blowout proof stem and features a dual stem seal design consisting of an o-ring, PTFE packing and an adjustable packing gland. The valve is actuated by 90° handle, which allows the user to select flow from either side of the ball in the main full-port flow channel for diversion into the reduced-port branch. Models 1/4"-2" feature a lever handle for easier actuation.

| ITEM#    | Connection Type | SIZE (In) | Max Temp  | Pressure Rating | A    | B    | C    | D    | E    | F    |
|----------|-----------------|-----------|-----------|-----------------|------|------|------|------|------|------|
| H-80642W | Press           | 1/2       | 200°F Max | 250 PSI CWP Max | 0.63 | 2.97 | 1.52 | 3.15 | 1.89 | 0.39 |
| H-80643W | Press           | 3/4       | 200°F Max | 250 PSI CWP Max | 0.88 | 3.52 | 1.69 | 3.15 | 2.20 | 0.59 |
| H-80644W | Press           | 1         | 200°F Max | 250 PSI CWP Max | 1.14 | 3.72 | 2.01 | 3.94 | 2.36 | 0.79 |
| H-80645W | Press           | 1 1/4     | 200°F Max | 250 PSI CWP Max | 1.39 | 4.57 | 2.70 | 5.08 | 2.85 | 0.98 |
| H-80646W | Press           | 1 1/2     | 200°F Max | 250 PSI CWP Max | 1.64 | 5.47 | 3.05 | 6.26 | 3.35 | 1.26 |
| H-80647W | Press           | 2         | 200°F Max | 250 PSI CWP Max | 2.14 | 6.71 | 3.35 | 6.26 | 4.06 | 1.57 |