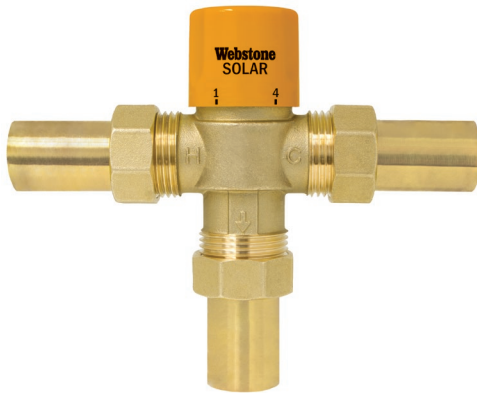


## H-TMV-230F Input

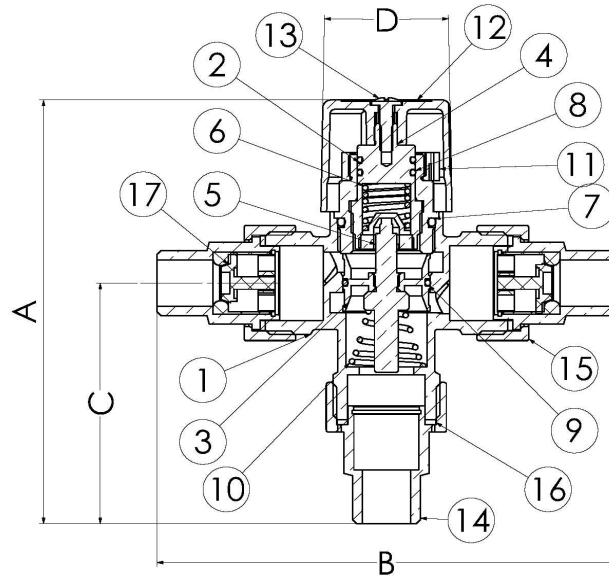
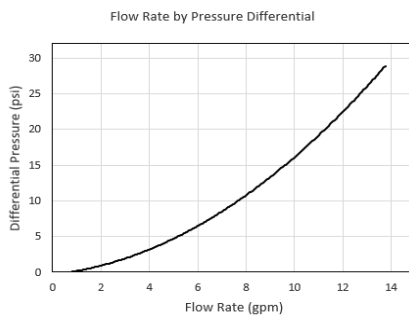
Thermostatic Mixing Valve w/ Integral Check Valves  
 Forged Brass Valve w/ DZR Brass Fittings,  
 Temperature Locking Handle  
 & G1 Union Connections  
 For Solar Applications - Max Input 230°F  
 Outlet Temperature Range 104°- 176°F

### Certifications

Certified to NSF/ANSI 61 & 372 ASSE 1017 CSA B125.3  
 Lead-Free



NO.	DESCRIPTION	MATERIAL
1	Body	Brass
2	End Cap	Brass
3	Piston	Brass HCP
4	Spindle	Brass
5	Element	Wax Filled Copper
6	Spindle Spring	Stainless Steel
7	O-ring	EPDM
8	O-ring	EPDM
9	O-ring	EPDM
10	Spring	Stainless Steel
11	Locking Ring	Plastic
12	Adjustment Cap	Plastic
13	Locking Screw	Stainless Steel
14	Fitting	Brass
15	Union Nut	Brass
16	Gasket	EPDM
17	Check Valve	Plastic



Hot Inlet Temperature Range	120 - 230°F (49 - 110°C)
Cold Inlet Temperature Range	39 - 80°F (4 - 27°C)
Working Pressure Range	30 - 150 psi (2 - 10 bar)
Minimum Temperature Differential Between Hot Supply and Mixed Outlet <sup>1</sup>	20°F (11°C)
Maximum Inlet Pressure Ratio <sup>2</sup>	2:1
Minimum Flow Rate <i>for optimal performance</i>	0.5 gpm (2 L/min)
C <sub>v</sub>	2.5

1. Required minimum temperature difference between the mixed outlet and the hot supply to enable the valve to function correctly and ensure automatic reduction of outlet flow in the event of cold supply failure.  
 2. Maximum permitted variation in Hot/Cold or Cold/Hot supply pressure in order to control the outlet temperature to within ± 5°F. Excessive fluctuation in supply pressures may cause outlet temperature to be outside of specified tolerance.

Designed for residential or commercial use. Threaded ends comply with ANSI B1.20.1. Solder joint temperature ratings are per ASME B16.18 Annex A for 95-5 solder. Other solder materials have lower pressure/temperature limits. Do not silver braze or overheat valves when soldering. TMV Body (H-70060W) certified to ASSE 1017.



WARNING: Cancer and Reproductive Harm. [www.P65Warnings.ca.gov](http://www.P65Warnings.ca.gov)

H-TMV-230F Input Spec.xlsm spec\_3/18/2020

ITEM#	Connection Type	SIZE (in)	Pressure Rating	Max Temp	A	B	C	D
H-72262W	FIP	1/2	150 PSI CWP Max	230°F Max	5.50	6.25	3.38	1.56
H-72263W	FIP	3/4	150 PSI CWP Max	230°F Max	5.50	6.25	3.38	1.56
H-72264W	FIP	1	150 PSI CWP Max	230°F Max	5.56	6.38	3.45	1.56
H-74262W	MIP	1/2	150 PSI CWP Max	230°F Max	5.22	5.60	3.06	1.56
H-74263W	MIP	3/4	150 PSI CWP Max	230°F Max	5.26	5.66	3.12	1.56
H-74264W	MIP	1	150 PSI CWP Max	230°F Max	5.69	6.50	3.52	1.56
H-75262W	SWT	1/2	150 PSI CWP Max	230°F Max	5.15	5.44	3.00	1.56
H-75263W	SWT	3/4	150 PSI CWP Max	230°F Max	5.61	6.44	3.52	1.56
H-75264W	SWT	1	150 PSI CWP Max	230°F Max	5.80	6.69	3.63	1.56
H-78262W	Press	1/2	150 PSI CWP Max	230°F Max	5.75	6.56	3.56	1.56
H-78263W	Press	3/4	150 PSI CWP Max	230°F Max	6.00	7.06	3.75	1.56
H-78264W	Press	1	150 PSI CWP Max	230°F Max	6.00	7.06	3.75	1.56





## H-7006W Series

Thermostatic Mixing Valve Body  
 Forged Brass Valve  
 Requires (3) G1 Union Connections (Sold Separately)  
 For Solar Applications - Max Input 230°F  
 Outlet Temperature Range 104°- 176°F

**Certifications**  
 Lead-Free  
 Certified to NSF/ANSI 61 & 372, ASSE 1017, CSA B125.3



ITEM#	Connection Type	SIZE (in)	Carton Qty	Case Qty	Pressure Rating	Max Temp
H-70060W	G-Thread	1	1	10	150 PSI CWP Max	230°F Max