



T&S BRASS AND BRONZE WORKS, INC.
 2 Saddleback Cove / P.O. Box 1088
 Travelers Rest, SC 29690

Model No.
EC-3101-TMV

Item No.

Travelers Rest, SC: 800-476-4103 • Simi Valley, CA: 800-423-0150 • Fax: 864-834-3518 • www.tsbrass.com



ADA Compliant



This Space for Architect/Engineer Approval

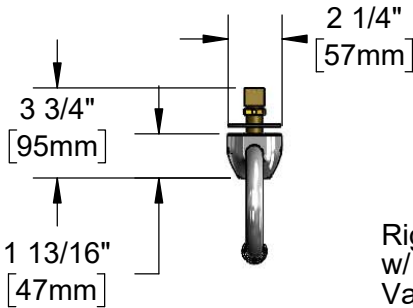
Job Name _____ Date _____

Model Specified _____ Quantity _____

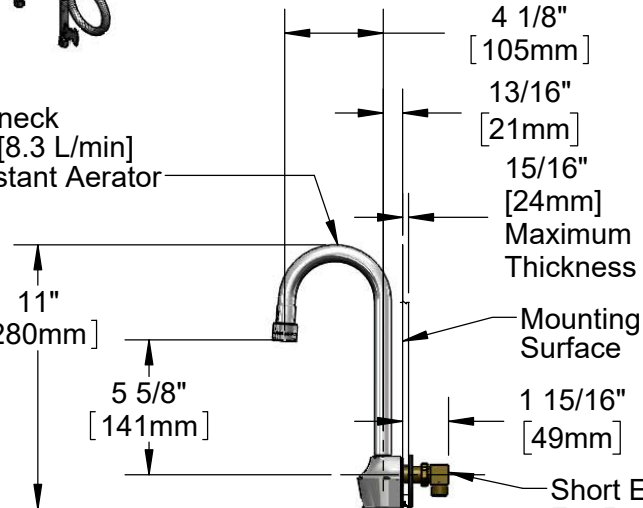
Customer/Wholesaler _____

Contractor _____

Architect/Engineer _____



Rigid Gooseneck
 w/ 2.2 GPM [8.3 L/min]
 Vandal Resistant Aerator



Short Elbow
 For Restricted
 Space
 Installations

Unscrew Set
 Screw in Body
 to Desired Height
 for Anti-rotation
 Feature.
 (See Mounting
 Hole Detail)

1/2" NPSM x 3/8" NPSM
 30" [762mm] Flexible
 Stainless Steel Hose

24" [610mm]
 Sensor Cable

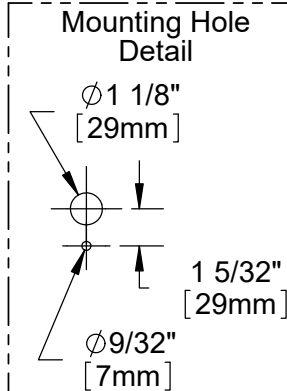
11" [280mm]
 5 5/8" [141mm]

3 5/8" x 4 3/16" x 2" Deep
 [92mm x 106mm x 51mm]
 Water Resistant Control Module Box (Grey)
 w/ Internal Flow Control Setting Switches
 AC or DC Operated w/ (4) AA Batteries.
 Hardwire Capable Using Terminals on Back.

100-240 VAC Adapter
 w/ 71" [1800mm] Power
 Cord. (Remove Rubber
 Plugs on Module and
 Cable to Connect)

(2) 3/8" Compression x 1/2" NPSM
 18" [457mm] Flexible Stainless Steel
 Supply Hose

EC-TMV
 ASSE 1070 Thermostatic Temperature
 Mixing Valve w/ Check Valves



Removable
 Strainer

Product Specifications:

Chrome Plated Brass Electronic Faucet:
 Wall Mt. Rigid Gooseneck w/ 2.2 GPM VR Aerator, AC/DC Control Module
 w/ Internal Flow Control Setting Switches, Thermostatic Temperature Control
 Mixing Valve w/ Check Valves, 18" Hot & Cold Supply Stop Flexible Connector
 Hoses

Product Compliance:

ASME A112.18.1 / CSA B125.1
 NSF 61 - Section 9
 NSF 372 (Low Lead Content)
 ANSI A117.1 (ADA)
 UL 1951
 ASSE 1070 (TMV)



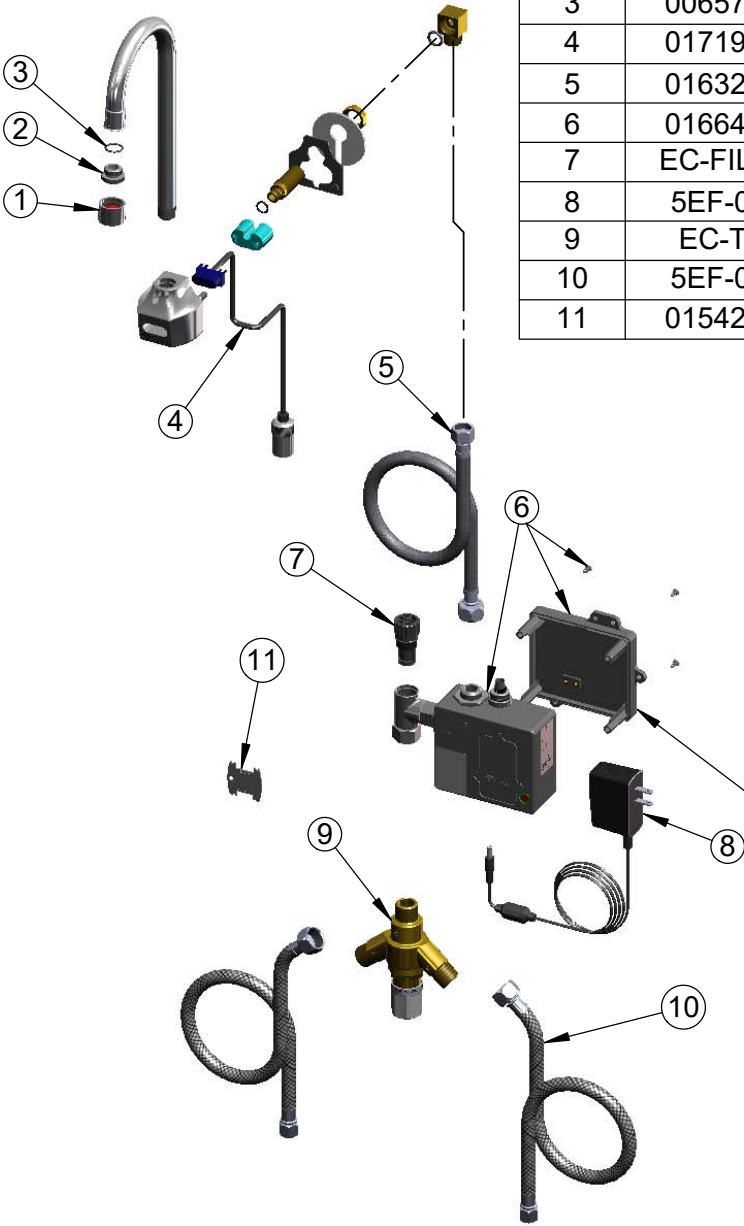
T&S BRASS AND BRONZE WORKS, INC.
 2 Saddleback Cove / P.O. Box 1088
 Travelers Rest, SC 29690

Model No.
EC-3101-TMV

Item No.

Travelers Rest, SC: 800-476-4103 • Simi Valley, CA: 800-423-0150 • Fax: 864-834-3518 • www.tsbrass.com

ITEM NO.	SALES NO.	DESCRIPTION
1	B-0199-06	VR Aerator w/ Key
2	044A	3/8" to Aerator Adapter
3	006575-45	-015 O-Ring
4	017195-45	Angled Sensor w/ Cable
5	016325-45	Flex Connector, 3/8 NPSM x 1/2 NPSM
6	016647-45	
7	EC-FILTER	Replacement Filter
8	5EF-0002	A/C Transformer
9	EC-TMV	ASSE 1070 Thermostatic Mixing Valve
10	5EF-0005	Supply Hose, 9/16-24 Female x 1/2" NPSM
11	015425-45	Vandal Resistant Key



A Maximum of (8) ChekPoint Faucets can be Hardwire Connected and Powered by EC-HARDWIRE ChekPoint Hardwire AC Transformer. (Sold Separately)



Label for Flow Control Switch Settings is Located on Inside of Back Cover.

Flow Control Switches are Located Inside Module Housing in Black Box Next to Battery Compartment.

*Switches are Set to DEFAULT Position:

- Auto Time Out = 15 Seconds
- Shut Off Delay = 1 Second
- Auto Flush = OFF

Remove (4) Screws and Back Cover to Access Switches.

***Available Water Flow Control Selections:**

- Auto Time Out: 15 sec, 30 sec, 45 sec, 60 sec, 3 min, 20 min
- Shut Off Delay: 1 sec, 10 sec, 15 sec, 30 sec
- Auto Flush (30 Seconds After Every 12 Inactive Hours): ON or OFF

Product Specifications:
 Chrome Plated Brass Electronic Faucet:
 Wall Mt. Rigid Gooseneck w/ 2.2 GPM VR Aerator, AC/DC Control Module
 w/ Internal Flow Control Setting Switches, Thermostatic Temperature Control
 Mixing Valve w/ Check Valves, 18" Hot & Cold Supply Stop Flexible Connector
 Hoses

Product Compliance:
 ASME A112.18.1 / CSA B125.1
 NSF 61 - Section 9
 NSF 372 (Low Lead Content)
 ANSI A117.1 (ADA)
 UL 1951
 ASSE 1070 (TMV)