



# T&S BRASS AND BRONZE WORKS, INC.

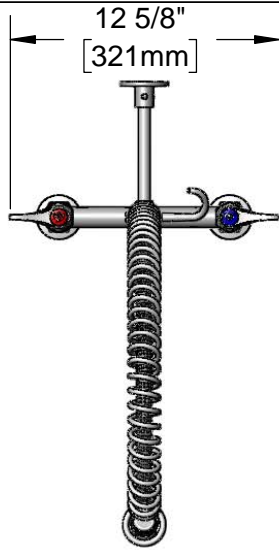
2 Saddleback Cove / P.O. Box 1088  
Travelers Rest, SC 29690

Model No.

**B-0123-V-BC**

Item No.

Travelers Rest, SC: 800-476-4103 • Simi Valley, CA: 800-423-0150 • Fax: 864-834-3518 • www.tsbrass.com



This Space for Architect/Engineer Approval

Job Name \_\_\_\_\_ Date \_\_\_\_\_

Model Specified \_\_\_\_\_ Quantity \_\_\_\_\_

Customer/Wholesaler \_\_\_\_\_

Contractor \_\_\_\_\_

Architect/Engineer \_\_\_\_\_

44" Flexible Stainless Steel Hose w/ Spring & Spray Valve

Items Not Shown for Clarity

Finger Hook

B-0107-C  
0.65 GPM  
Low Flow  
Spray Valve



3/8" NPT x 20" Riser

B-0970-FEZ  
Vacuum Breaker

EasyInstall  
Lock Nut & Bushing

Quarter-Turn  
Eterna Cartridges w/  
Spring Checks &  
Lever Handles w/  
Color Coded Indexes

Mounting Surface

B-0109-01  
6" Wall  
Bracket

45 11/16"  
[1160mm]

14 1/8"  
[358mm]

15 1/16"  
[382mm]

5 3/16"  
[131mm]

8"  
[203mm]

Ø2" [51mm]  
Flanges w/  
1/2" NPT  
Female Inlets

### Product Specifications:

EasyInstall Pre-Rinse Unit: 8" Deck Mount Base Mixing Faucet, Quarter-Turn Eterna Cartridges w/ Spring Checks, 44" Flexible Stainless Steel Hose, 0.65 GPM Low Flow Spray Valve, Vacuum Breaker, 6" Wall Bracket & 1/2" NPT Female Inlets

### Product Compliance:

ASME A112.18.1 / CSA B125.1  
NSF 61 - Section 9  
NSF 372 (Low Lead Content)  
EPA Act 2005 (PRSV)  
CSA B64.8 (VB)  
EPA WaterSense (PRSV)



# T&S BRASS AND BRONZE WORKS, INC.

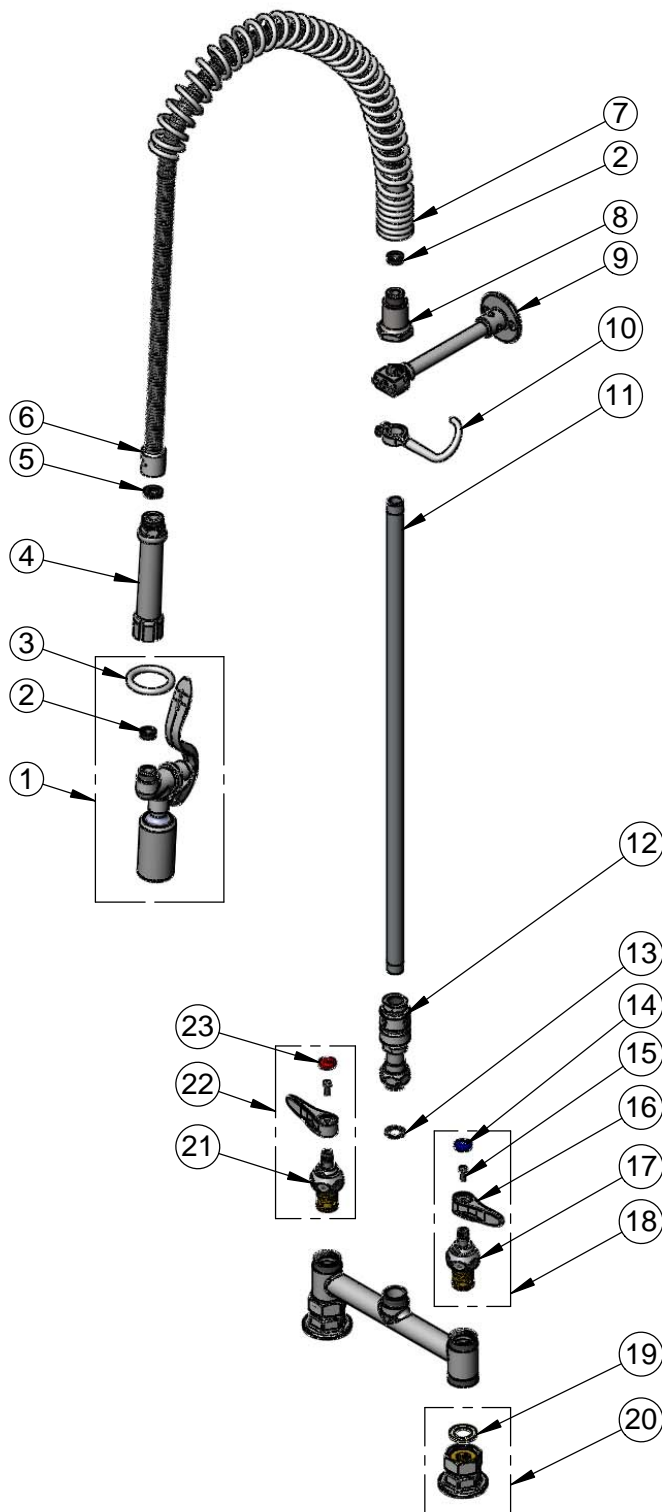
2 Saddleback Cove / P.O. Box 1088  
Travelers Rest, SC 29690

Model No.

**B-0123-V-BC**

Item No.

Travelers Rest, SC: 800-476-4103 • Simi Valley, CA: 800-423-0150 • Fax: 864-834-3518 • www.tsbrass.com



| ITEM NO. | SALES NO.   | DESCRIPTION  |
|----------|-------------|--|
| 1        | B-0107-C    | 0.65 Low Flow Spray Valve  |
| 2        | 010476-45   | #27 Washer   |
| 3        | 000907-45   | Spray Valve Hold Down Ring   |
| 4        | 002987-40   | Grip Handle  |
| 5        | 001014-45   | Washer, B-0100 Hose Barrel   |
| 6        | B-0044-H2A  | 44" Flexible Stainless Steel Hose, Less Handle                                 |
| 7        | 000888-45   | EasyInstall Overhead Spring  |
| 8        | 000821-40   | Spring Body  |
| 9        | B-0109-01   | 6" Wall Bracket  |
| 10       | 004R        | Finger Hook  |
| 11       | 000372-40   | 3/8" NPT x 24" Riser   |
| 12       | B-0970-FEZ  | Vacuum Breaker   |
| 13       | 014200-45   | Star Washer, Anti-Rotation   |
| 14       | 018506-19NS | Blue Button Index, Press-in  |
| 15       | 000925-45   | Lab Handle Screw   |
| 16       | 001638-45NS | Lever Handle (New Style)   |
| 17       | 012442-40NS | Quarter-Turn Eterna Cartridge w/ Spring Check, LTC                             |
| 18       | 002711-40NS | Quarter-Turn Eterna Cartridge w/ Spring Check, Handle, Blue Index & Screw, LTC |
| 19       | 001019-45   | Coupling Nut Washer  |
| 20       | 00AA        | 1/2" NPT Female Eccentric Flange   |
| 21       | 012443-40NS | Quarter-Turn Eterna Cartridge w/ Spring Check, RTC                             |
| 22       | 002712-40NS | Quarter-Turn Eterna Cartridge w/ Spring Check, Handle, Red Index & Screw, RTC  |
| 23       | 001193-19NS | Red Button Index, Press-in   |

**Product Specifications:**

EasyInstall Pre-Rinse Unit: 8" Deck Mount Base Mixing Faucet, Quarter-Turn Eterna Cartridges w/ Spring Checks, 44" Flexible Stainless Steel Hose, 0.65 GPM Low Flow Spray Valve, Vacuum Breaker, 6" Wall Bracket & 1/2" NPT Female Inlets

**Product Compliance:**

ASME A112.18.1 / CSA B125.1  
NSF 61 - Section 9  
NSF 372 (Low Lead Content)  
EPA Act 2005 (PRSV)  
CSA B64.8 (VB)  
EPA WaterSense (PRSV)