



T&S BRASS AND BRONZE WORKS, INC.
 2 Saddleback Cove / P.O. Box 1088
 Travelers Rest, SC 29690

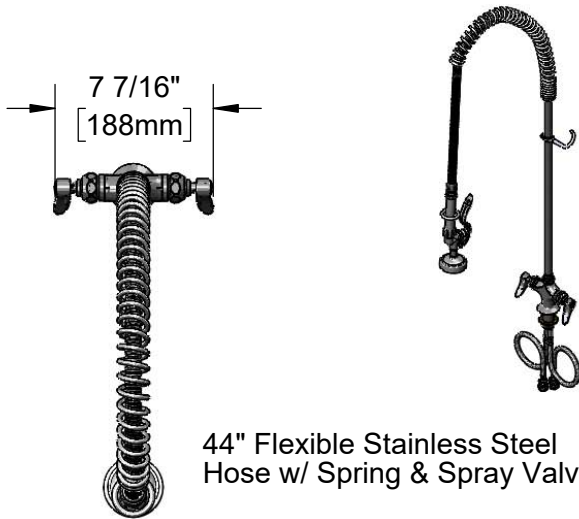
Model No.
B-0113

Item No.

Travelers Rest, SC: 800-476-4103 • Simi Valley, CA: 800-423-0150 • Fax: 864-834-3518 • www.tsbrass.com

This Space for Architect/Engineer Approval

Job Name _____ Date _____
 Model Specified _____ Quantity _____
 Customer/Wholesaler _____
 Contractor _____
 Architect/Engineer _____



44" Flexible Stainless Steel
 Hose w/ Spring & Spray Valve

Items Not Shown
 For Clarity

Finger Hook

3/8" NPT x 24" Riser

B-0107
 1.15 GPM
 Spray Valve

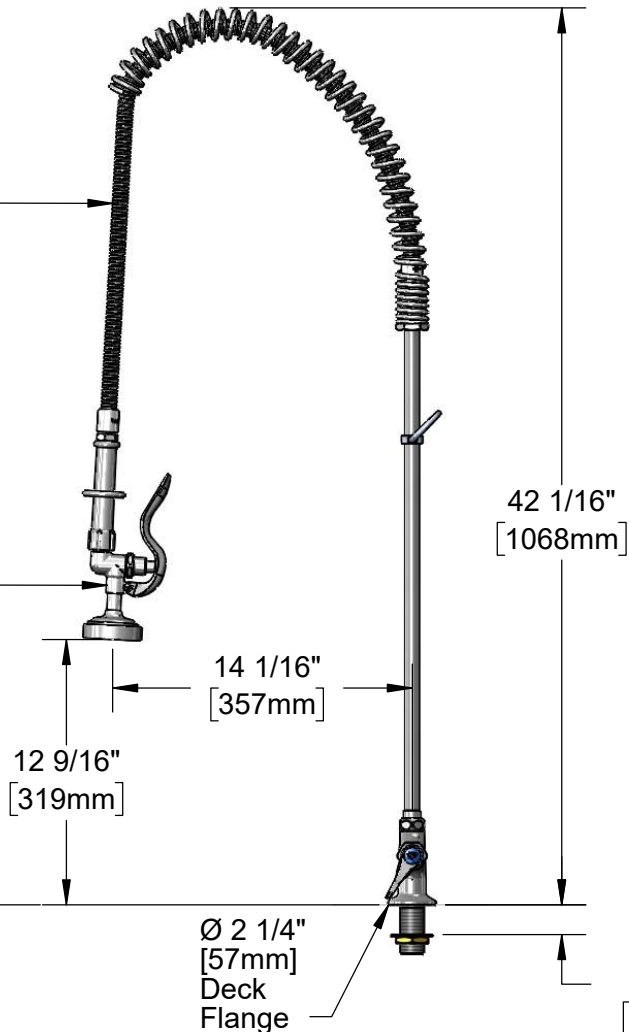
EasyInstall
 Lock Nut & Bushing

Quarter-Turn
 Eterna Cartridges w/
 Spring Checks &
 Lever Handles w/
 Color Coded Indexes

Mounting Surface

18" Flexible
 Stainless Steel
 Supply Hoses

Compression Fittings
 for 5/8" O.D. Copper Tubing
 (Remove Compression Nut
 for 1/2" NPSM Male)



2 5/16"
 [58mm]

12 9/16"
 [319mm]

14 1/16"
 [357mm]

Ø 2 1/4"
 [57mm]
 Deck
 Flange

1 3/8"
 [35mm]
 Maximum
 Thickness

Rough-In Requirement:
 Ø 1 1/2" [38mm] Mounting Hole

Product Specifications:

Pre-Rinse Unit: EasyInstall Single Hole Deck Mount Mixing Faucet, Quarter-Turn Eterna Cartridges w/ Spring Checks, Lever Handles, 44" Flexible Stainless Steel Hose, 1.15 GPM Spray Valve & Flexible Stainless Steel Supply Hoses

Product Compliance:

ASME A112.18.1 / CSA B125.1
 NSF 61 - Section 9
 NSF 372 (Low Lead Content)
 2019 DOE PRSV - Class II



T&S BRASS AND BRONZE WORKS, INC.

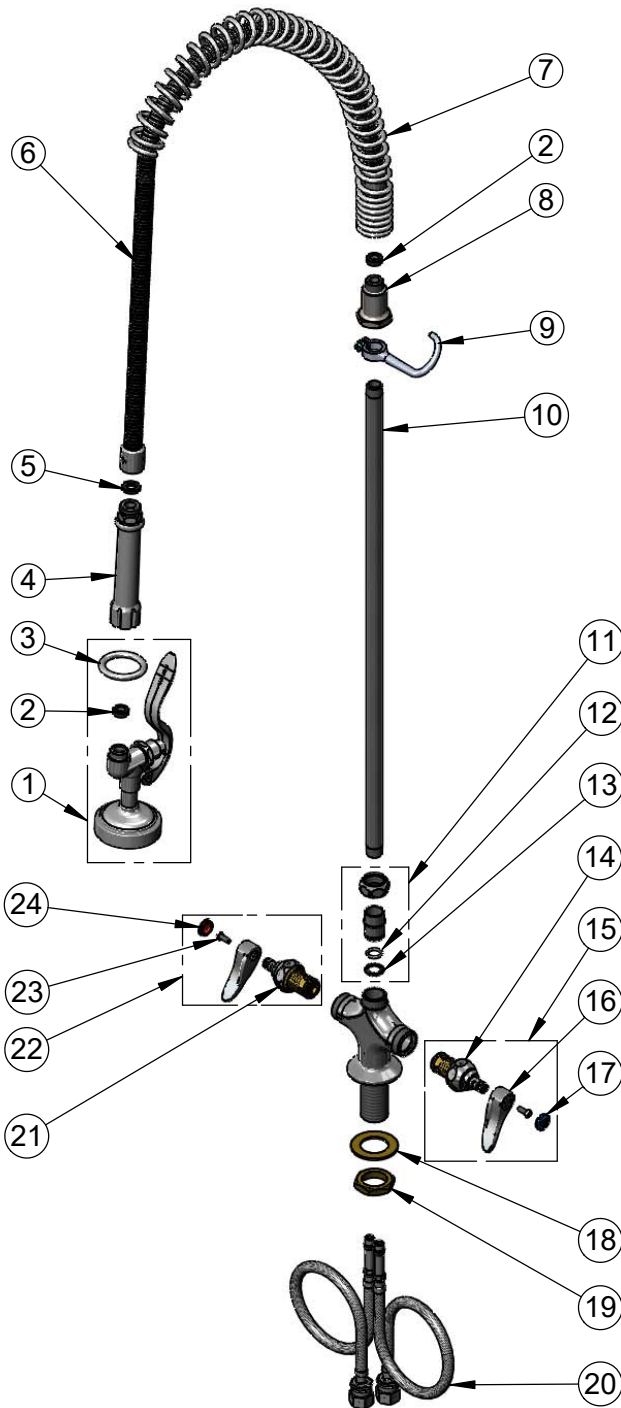
2 Saddleback Cove / P.O. Box 1088
Travelers Rest, SC 29690

Model No.

B-0113

Item No.

Travelers Rest, SC: 800-476-4103 • Simi Valley, CA: 800-423-0150 • Fax: 864-834-3518 • www.tsbrass.com



ITEM NO.	SALES NO.	DESCRIPTION
1	B-0107	1.15 GPM Spray Valve
2	010476-45	#27 Washer
3	000907-45	Spray Valve Hold Down Ring
4	002987-40	Grip Handle
5	001014-45	Washer, B-0100 Hose Barrel
6	B-0044-H2A	44" Flexible Stainless Steel Hose, Less Handle
7	000888-45	EasyInstall Overhead Spring
8	000821-40	Spring Body
9	004R	Finger Hook
10	000372-40	3/8" NPT x 24" Riser
11	EZ-K	EasyInstall Kit: Nut, Bushing, O-Ring & Lock Washer
12	001065-45	O-Ring
13	014200-45	Star Washer, Anti-Rotation
14	012442-40NS	Quarter-Turn Eterna Cartridge w/ Spring Check, LTC
15	002711-40NS	Quarter-Turn Eterna Cartridge w/ Spring Check, Handle, Blue Index & Screw, LTC
16	001638-45NS	Lever Handle (New Style)
17	018506-19NS	Blue Button Index, Press-in
18	002290-45	Lock Washer
19	000965-45	Lock Nut
20	012534-45	18" Flexible Supply Hose (2)
21	012443-40NS	Quarter-Turn Eterna Cartridge w/ Spring Check, RTC
22	002712-40NS	Quarter-Turn Eterna Cartridge w/ Spring Check, Handle, Red Index & Screw, RTC
23	000925-45	Lab Handle Screw
24	001193-19NS	Red Button Index, Press-in
61	009845-45	Spray Valve Spray Face

Product Specifications:

Pre-Rinse Unit: EasyInstall Single Hole Deck Mount Mixing Faucet, Quarter-Turn Eterna Cartridges w/ Spring Checks, Lever Handles, 44" Flexible Stainless Steel Hose, 1.15 GPM Spray Valve & Flexible Stainless Steel Supply Hoses

Product Compliance:

ASME A112.18.1 / CSA B125.1
NSF 61 - Section 9
NSF 372 (Low Lead Content)
2019 DOE PRSV - Class II