



Location:

SYMMONS® Canterbury®

the smart choice™

4503-TRM, 4503TRMTC
Hand Shower Trim
Specification Submittal



Feature Highlights

- Canterbury Hand Shower Trim
- Requires Temptrol® Pressure Balancing Shower Valve
- Metal lever handle
- Cradle for hand shower wand
- Dual checks for backflow protection
- 60" flexible metal hose
- 3 mode hand shower wand
- 2.5 gpm (9.5 L/min) flow restrictor
- Tub spout not included
- Components shall be metal and nonmetallic construction, plated in standard Polished Chrome finish
- Available with TA-10 flow control spindle and T-12A cap assembly for Temptrol valve bodies installed with Test Cap (order p/n 4503TRMTC)
- For optional in-line vacuum breaker order p/n EF-109

Model Numbers

- 4503-TRM**
Shower Trim, Temptrol Pressure Balancing Shower Valve ordered separately
- 4503TRMTC**
Shower Trim with TA-10 flow control spindle and T-12A cap assembly, must order Temptrol valve with Test Cap

Compliance



- ASME A112.18.1/CSA B125.1



Warranty

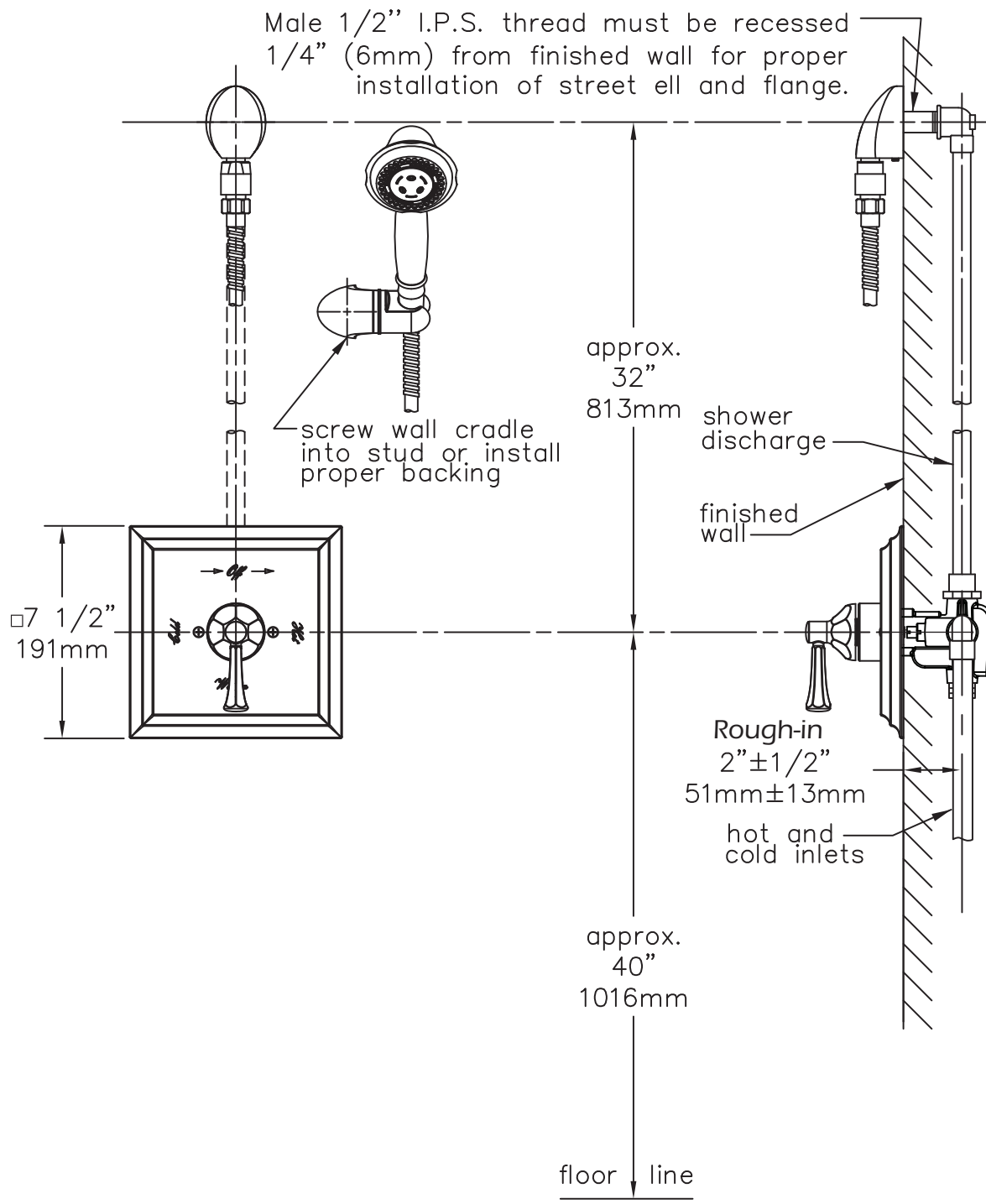
Limited Lifetime - to the original end purchaser in consumer/residential installations.
5 Years - for industrial/commercial installations.
Refer to www.symmons.com/warranty for complete warranty information.
Go to www.symmons.com/register to register your Symmons product.

Options/Modifications

- 1.5**  1.5 gpm (5.7 L/min) flow restrictor
- 2.0** 2.0 gpm (7.6 L/min) flow restrictor
- 72** 72" hose in place of 60" hose
- 442HSB** 30" slide bar in place of wall cradle
- ADACHS** ADA hand shower wand (chrome)
- ADAHS** ADA hand shower wand (white)
- H321-V** 1 mode hand shower unit with slide bar
- H323-V** 3 mode hand shower unit with slide bar
- H323-V-48** 3 mode hand shower unit with 48" slide bar
- H3624** 24" decorative slide/grab bar with ADA wand
- H3636** 36" decorative slide/grab bar with ADA wand
- L2** Less hand shower wand
- LP**  Loop handle
- QD** Quick-disconnect on hand shower units
- R** 60" white vinyl hose in place of 60" metal hose
- REB** Rebuild trim kit, includes TA-10 and TA-4
- T724** 24" slide bar/grab bar with ADA wand
- T736** 36" slide bar/grab bar with ADA wand
- T748** 48" slide bar/grab bar with ADA wand
- VB** Elevated vacuum breaker
- VP** Vandal resistant escutcheon screws in place of standard screws
- STN** Satin Nickel finish

Note: Append appropriate -suffix to model number.

Dimensions



Notes:

- 1) Valve body and piping not included and shown as reference only.
- 2) Plaster shield (p/n T-176) for dry wall, plaster or other type walls 1/2" or greater.
- 3) All dimensions measured from nominal rough-in.
- 4) Dimensions subject to change without notice.