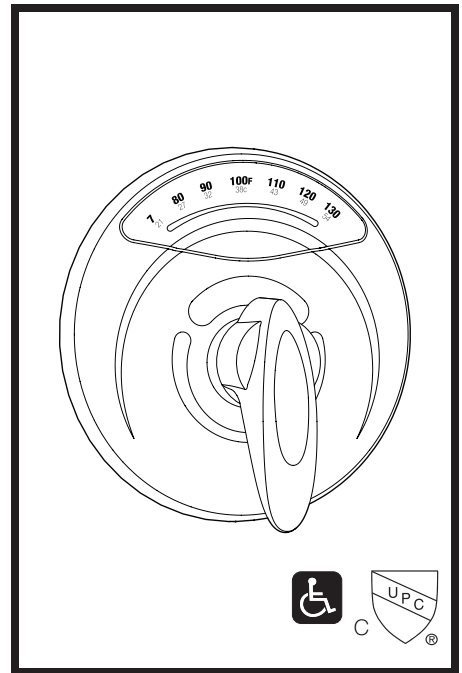


4-500VT Visu-Temp® Tub and Shower Valve

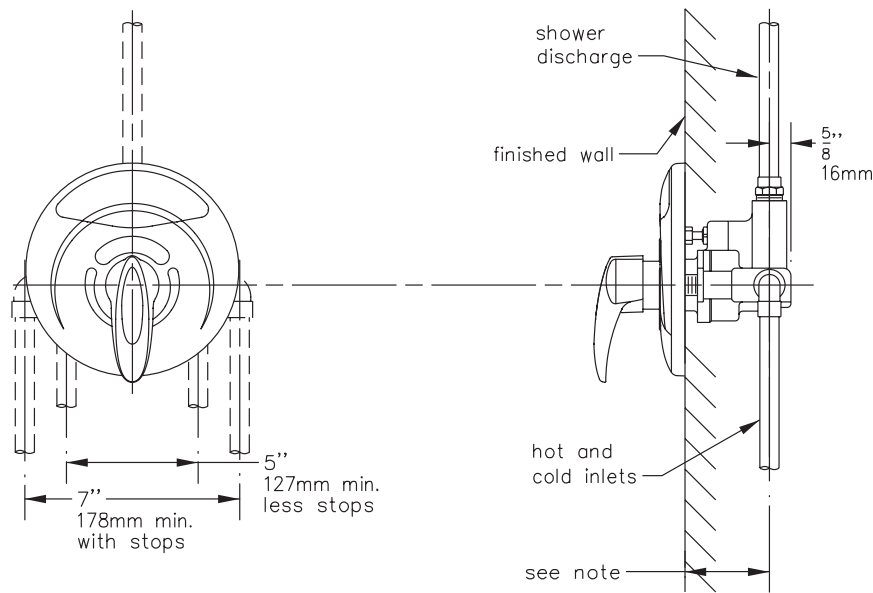
Visu-Temp Pressure-Balancing mixing valve with integral thermometer and adjustable stop screw to limit handle turn.

Modifications:

- Suffix X:** Integral service stops—allows water shut-off at valve for service
- Suffix X-3/4** 3/4" valve to increase flow approximately 20%
- Suffix X-CHKS:** Integral check stops—for use in installations where a positive shut-off device is used downstream of mixing valve
- Suffix X-REV:** Reverse coring, hot on right, cold on left, for back to back installations with integral stops only
- Suffix STN:** Satin Nickel finish



**SYMMONS PRODUCTS MEET
ASME A112.18.1/CSA B125.1
AND ALL KNOWN FLOW RATE
REQUIREMENTS.
Shower Heads and Hand Showers
2.5 GPM (9.5 L/min)**



NOTE: 2-1/2" (64mm) min.
3" (76mm) max.
On 2"x4" construction, use
2-1/2" (64mm) min. rough-in.

Job/Location

.....
.....

Engineer

.....
.....

Contractor

.....
.....

This drawing to be used for rough-in installation only. All floor to center dimensions optional. Concealed piping and fittings not furnished by manufacturer. For ADA compliance (Americans with Disabilities Act) consult ADAAG or your state regulations for proper product choice and mounting locations. For complete installation, adjustment and service information see installation instructions.

Symmons Industries, Inc. ■ 31 Brooks Drive ■ Braintree, MA 02184
Phone: (800) 796-6667 ■ Fax: (800) 961-9621
Website: symmons.com ■ Email: gethelp@symmons.com

