







Location:

# SYMMONS® DS Creations

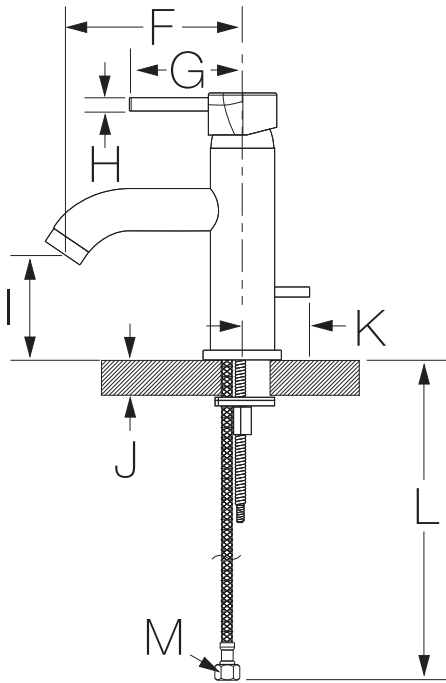
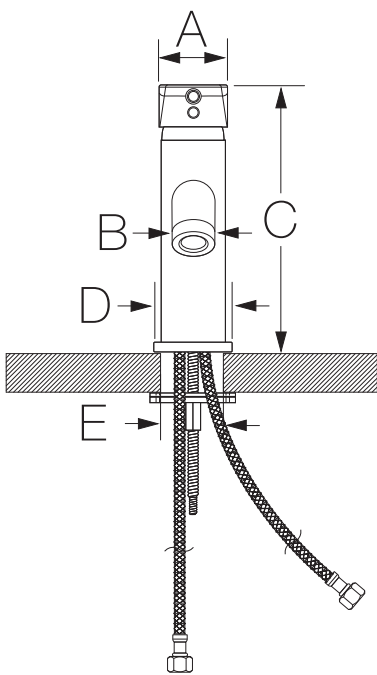
the smart choice™

SLS-0488-1.0, SLS-0488-1.5 (CDSLS0488-12-1.0)  
 Single Handle Lavatory Faucet  
**Specification Submittal**



<b>Feature Highlights</b>	<b>Options/Modifications</b>
<p>Single Handle Lavatory Faucet shall include single hole mount configuration, ceramic cartridge, braided hose connections, metal drain assembly and 1.0 gpm (3.8 L/min) aerator. Faucet shall be metal construction, plated in standard polished chrome finish.</p>	<p> <input type="checkbox"/> -1.0  1.0 gpm (3.8 L/min) aerator  <input type="checkbox"/> -1.5  1.5 gpm (5.7 L/min) aerator         </p> <p><b>Note:</b> Append appropriate -suffix to model number.</p>
<b>Model Numbers</b>	<b>Compliance</b>
<p> <input type="checkbox"/> <b>SLS-0488-1.0</b>            Single Handle Lavatory Faucet (1.0 gpm - 3.8 L/min)  <input type="checkbox"/> <b>SLS-0488-1.5</b>            Single Handle Lavatory Faucet (1.5 gpm - 5.7 L/min)         </p>	<p>           -ASME A112.18.1/CSA B125.1            -NSF/ANSI 61.9, NSF/ANSI 372            -WaterSense 1.5 gpm (5.7 L/min)         </p>  
<b>Warranty</b>	
<p> <b>Limited Lifetime</b> - to the original end purchaser in consumer/residential installations.  <b>5 Years</b> - for industrial/commercial installations.            Go to <a href="http://www.symmons.com/warranty">www.symmons.com/warranty</a> for complete warranty information.         </p>	

## Dimensions



Measurements	
A	Ø 1-3/4", 44 mm
B	1-3/16", 30 mm
C	7-3/8", 187 mm
D	Ø 2-1/4", 57 mm
E	Hole Size: Min. Ø 1-1/4", 32 mm Max. Ø 1-3/4", 44 mm
F	4-15/16", 125 mm
G	3-1/8", 79 mm
H	Ø 3/8", 10 mm
I	2-15/16", 75 mm
J	Deck Thickness Ref. Max. 1-1/4", 32 mm
K	1-7/8", 47 mm
L	14-1/2", 368 mm
M	3/8" compression fitting

**Note:** Dimensions subject to change without notice.