

## Westmere Sink

### FEATURES:

- Overflow drain
- Vitreous China
- For rectangular cutout: 17" x 12-9/16"
- Basin clamps included

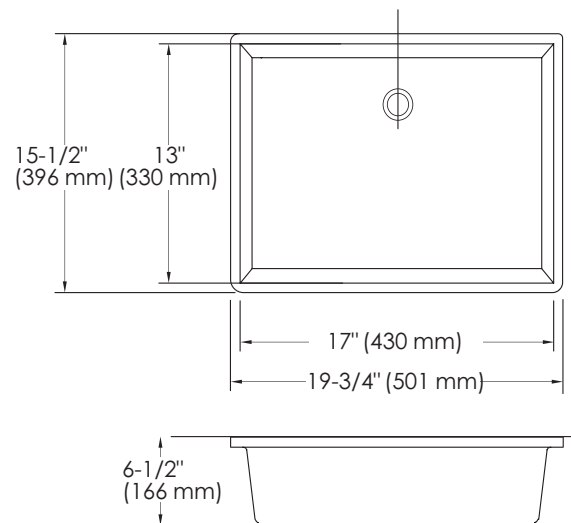
### STANDARDS:

- cUPC certified
- ASME A112.19.2/CSA B45.1 compliant

### WARRANTY:

Visit [www.speakman.com](http://www.speakman.com) for full product warranty information

- 1 Year Limited Warranty



All dimensions are in inches (millimeters) unless otherwise specified and are subject to change without notice.

Architect/Engineer Approval Space:

P: 800-537-2107  
F: 800-977-2747  
W: [WWW.SPEAKMAN.COM](http://WWW.SPEAKMAN.COM)  
R: 01-MAY 2020