

## Eyesaver® AC Powered Sensor Eyewash

### MODELS:

- SEF-18202: Eyesaver® AC Powered Sensor Eyewash
- SEF-18202-8: Eyesaver® AC Powered Sensor Eyewash w/ 8 in. Spout

### EYEWASH FEATURES:

- Independent water channel for eyewash
- Brass Spindle Valve
- Lift handle activation
- (2) Dedicated Optimus® aerated eyewash sprays with flip top dust caps
- 2.0 GPM (7.6 L/min) @ 30 PSI flow rate
- 1/2" NPT male inlet

### FAUCET FEATURES:

- Low-lead brass construction
- Sensor eye integrated into front of faucet body for easy activation
- AC powered Sensor
- Solenoid life exceeds 2.7 million cycles
- 1.2 GPM (4.5 L/min) flow rate
- Inlet supply 3/8" compression with male threads
- Above counter mixer

### OPTIONS/ADD ONS:

- A-SEF-NA: Non-aerated eyewash outlets
- SEF-TW: Thermostatic Mixing Valve for tepid water during eyewash usage
- 8: 8" Gooseneck spout for faucet
- A-SEF-BOLF: 0.5 GPM (1.89 L/min) faucet flow control and 1.5 GPM (5.7 L/min) laminar faucet flow control kit
- A-SEF-ST: Serrated tip for faucet with vacuum breaker (Not NSF 61/372 compliant)
- A-TMV: Thermostatic mixing valve for tepid water during faucet usage

### STANDARDS:

- ANSI/ISEA Z358.1 certified
- ASME A112.18.1/CSA B125.1 certified
- IGC 272 certified
- NSF/ANSI 61 certified
- NSF/ANSI 372 certified

### WARRANTY:

Visit [www.speakman.com](http://www.speakman.com) for full product warranty information

- 3 Year Limited Warranty (commercial)



Information continues on next page

ENSURE YOU ARE ANSI/ISEA Z358.1 Tepid Water Compliant by incorporating Speakman's 9.7 GPM Thermostatic Mixing Valve.	
	<ul style="list-style-type: none"> <li>• <b>STW-370:</b> Thermostatic Mixing Valve (valve only)</li> <li>• <b>SEF-TW:</b> Thermostatic Mixing Valve with necessary connections for SEF products</li> </ul>

All dimensions are in inches (millimeters) unless otherwise specified and are subject to change without notice.

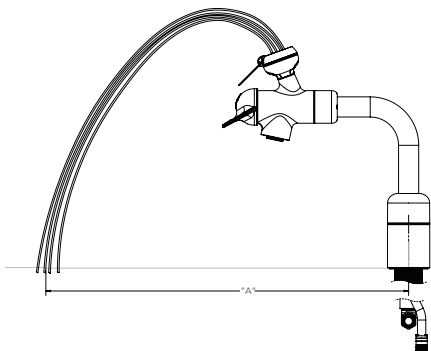
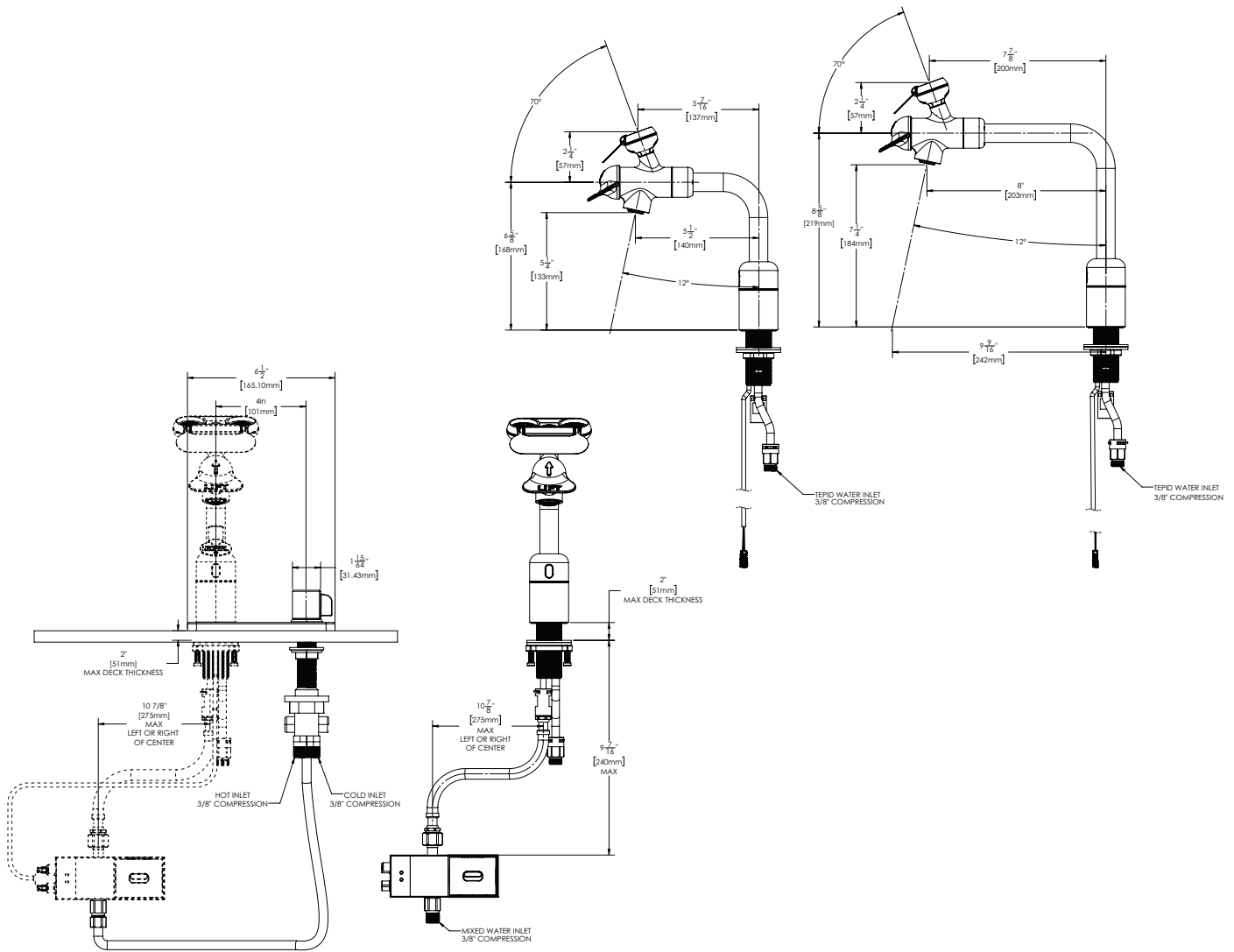
Architect/Engineer Approval Space:

P: 800-537-2107  
F: 800-977-2747  
W: WWW.SPEAKMAN.COM  
R: 02-NOVEMBER 2019

## Eyesaver® AC Powered Sensor Eyewash

SEF-18202

SEF-18202-8



SEF-1800-SL Spray Plume Length and Flow

Flowing Pressure	30 psi 2.07 Bar	40 psi 2.76 Bar	50 psi 3.45 Bar	60 psi 4.14 Bar	70 psi 4.83 Bar	80 psi 5.52 Bar
Flow Rate	gpm L/min	gpm L/min	gpm L/min	gpm L/min	gpm L/min	gpm L/min
Eyewash Distance Plume "A"	" cm	" cm	" cm	" cm	" cm	" cm

SEF-1800-SL-8 Spray Plume Length and Flow

Flowing Pressure	30 psi 2.07 Bar	40 psi 2.76 Bar	50 psi 3.45 Bar	60 psi 4.14 Bar	70 psi 4.83 Bar	80 psi 5.52 Bar
Flow Rate	gpm L/min	gpm L/min	gpm L/min	gpm L/min	gpm L/min	gpm L/min
Eyewash Distance Plume "A"	" cm	" cm	" cm	" cm	" cm	" cm

All dimensions are in inches (millimeters) unless otherwise specified and are subject to change without notice. Unless otherwise specified, all inlets are 3/8" compression with male threads.

Architect/Engineer Approval Space:

P: 800-537-2107  
 F: 800-977-2747  
 W: WWW.SPEAKMAN.COM  
 R: 02-NOVEMBER 2019