

**CODE NUMBER**

70001402

**DESCRIPTION**

SU-7009 Urinal and ROYAL 186 SMO Flushometer.

**COMPONENTS**

- Flushometer: Code 3912654
- Urinal: Code 1107009

**DETAILS**

- Flush Volume: 0.125 gpf (0.5 Lpf)
- Nominal Dimensions: 14 ¾" x 14 187/1000" x 23 ½" (375 x 360 x 597mm)

**FLUSHOMETER FEATURES**

- "User in View" Flashing LED
- No External Volume Adjustment to Ensure Water Conservation
- Sweat Solder Adapter w/Cover Tube and Cast Wall Flange w/Set Screw
- Stop Seat and Vacuum Breaker molded from PERMEX® Rubber Compound for Chloramine Resistance
- Four (4) Size C Batteries included
- Manual Override Flush Button
- "Low Battery" Flashing LED with Optional Audio Tone
- Optional 24-Hour Sentinel Flush
- ¾" I.P.S. Screwdriver Bak-Chek® Angle Stop with Vandal Resistant Stop Cap

**FIXTURE FEATURES**

- White Vitreous China
- Washdown flushing action
- Integral flushing rim
- ¾" I.P.S. top spud inlet
- 2" NPT outlet flange
- Vandal resistant strainer assembly included
- All mounting hardware included
- 100% factory flush tested



**COMPLIANCES & CERTIFICATIONS**



(ADA Compliant, cUPC Green Certified, WaterSense Listed, BAA Compliant, CEC Compliant, CalGreen Compliant, Satisfies LEED Credits)

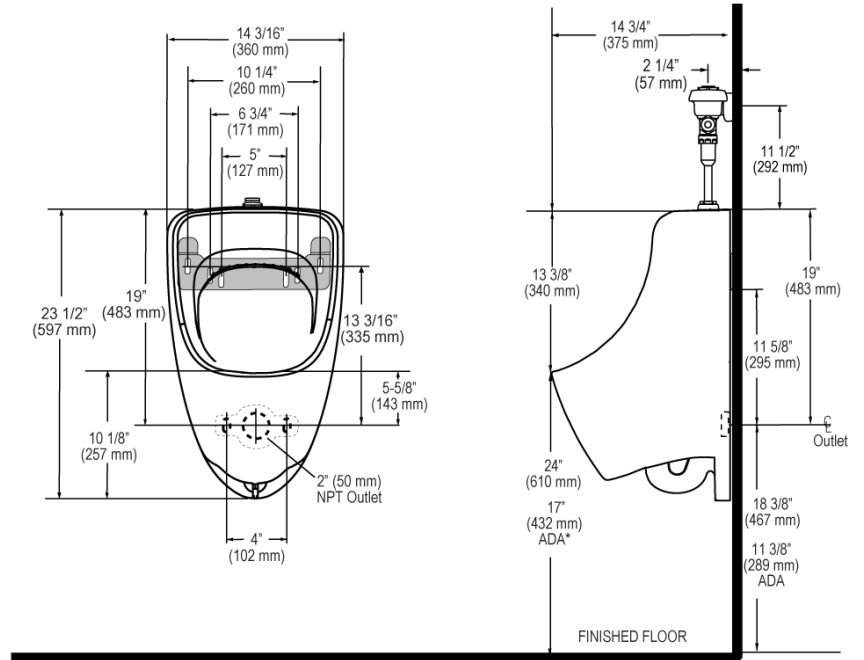
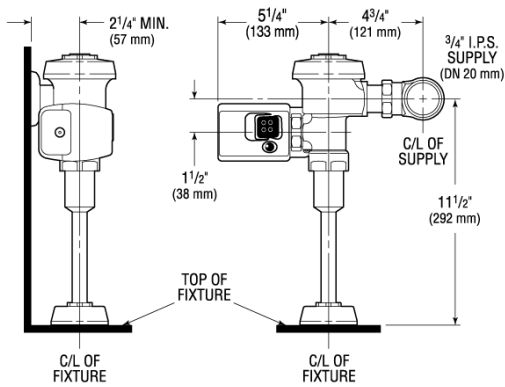
**DOWNLOADS**

- [Small Spud Urinal Installation Instructions](#)
- [SS/ST/SU/WETS/WEUS Fixtures Repair and Maintenance Guide](#)
- [Additional Downloads](#)

**NOTES**

All information contained within this document subject to change without notice.

**ROUGH-IN**



Sloan 10500 Seymour Ave, Franklin Park, IL 60131  
Phone: 800.982.5839 • Fax: 800.447.8329 • [sloan.com](http://sloan.com)