

CODE NUMBER

3450420

DESCRIPTION

1.6 gpf, Polished Chrome Finish, Single Flush, True Mechanical Override, Hardwired, Sensor-Operated, Royal® Exposed Sensor Hardwired Water Closet Flushometer.

DETAILS

- Flush Volume: 1.6 gpf (6.0 Lpf)
- Finish: Polished Chrome (CP)
- Power Type: Hardwired (HW)
- Valve: Diaphragm
- Valve Body Material: Semi-red Brass
- Fixture Type: Water Closet
- Fixture Connection: Top spud
- Rough-In Dimension: 36" (914mm)
- Spud Coupling: 1 ½" (38mm)
- Supply Pipe: 1" (25mm)
- Override: True Mechanical (TMO)

FEATURES

PERMEX® Synthetic Rubber Diaphragm with Dual Filtered Fixed Bypass

User friendly three (3) second Flush Delay

Sweat solder adapter with cover tube and cast wall flange with set screw

OPTIMA® EL-1500 Self-Adaptive Infrared Sensor with Indicator Light

Non-Hold-Open Integral Solenoid Operator, Fixed Metering Bypass and No External Volume Adjustment to Ensure Water Conservation

Stop Seat and Vacuum Breaker molded from PERMEX® Rubber Compound for Chloramine Resistance

Courtesy Flush® Non-Hold-Open True Mechanical Override Button

1" I.P.S. Screwdriver Bak-Chek® Angle Stop (available with 1" Whitworth Thread, please specify)

Free Spinning Vandal Resistant Stop Cap

High Back Pressure Vacuum Breaker Flush Connection with One- Piece Bottom Hex Coupling Nut, Spud Coupling and Flange for 11/2" Back Inlet

Die Cast Sensor Plate with no visible Fasteners (for 2-gang Electrical Box)

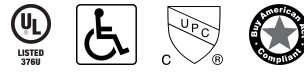
Flush accuracy controlled by CID® technology

VIDEOS

[ESS Flushometer](#)



COMPLIANCES & CERTIFICATIONS



(UL Certified, ADA Compliant, cUPC Certified, BAA Compliant)

RECOMMENDED SPECIFICATION

Valve Body, Cover, Tailpiece and Control Stop shall be in conformance with ASTM Alloy Classification for Semi- Red Brass. Valve shall be in compliance with the applicable sections of ASSE 1037 and ANSI/ASME 112.19.2.

ELECTRICAL SPECIFICATIONS

- Arming Delay: 16 seconds
- Control Circuit: Solid State/24 VAC Input/24 VAC Output/24 Hour Sentinel Flush
- Flush Delay: 3s
- Self-Adaptive Window: ±10
- Sensor Range: 22" - 42" (559 - 1,067mm)
- Solenoid Operator: 24 VAC
- Transformers:
 - 0345154
 - 0345999

VALVE OPERATING PRESSURE (FLOWING)

15-80 PSI (103-552 kPa). Specific fixtures may require greater minimum flowing pressure - consult manufacturer requirements.

DOWNLOADS

- [Control Stop Repair and Maintenance Guide](#)
- [Flush Connections Flanges Repair and Maintenance Guide](#)
- [Tail Piece Repair and Maintenance Guide](#)
- [Additional Downloads](#)

NOTES

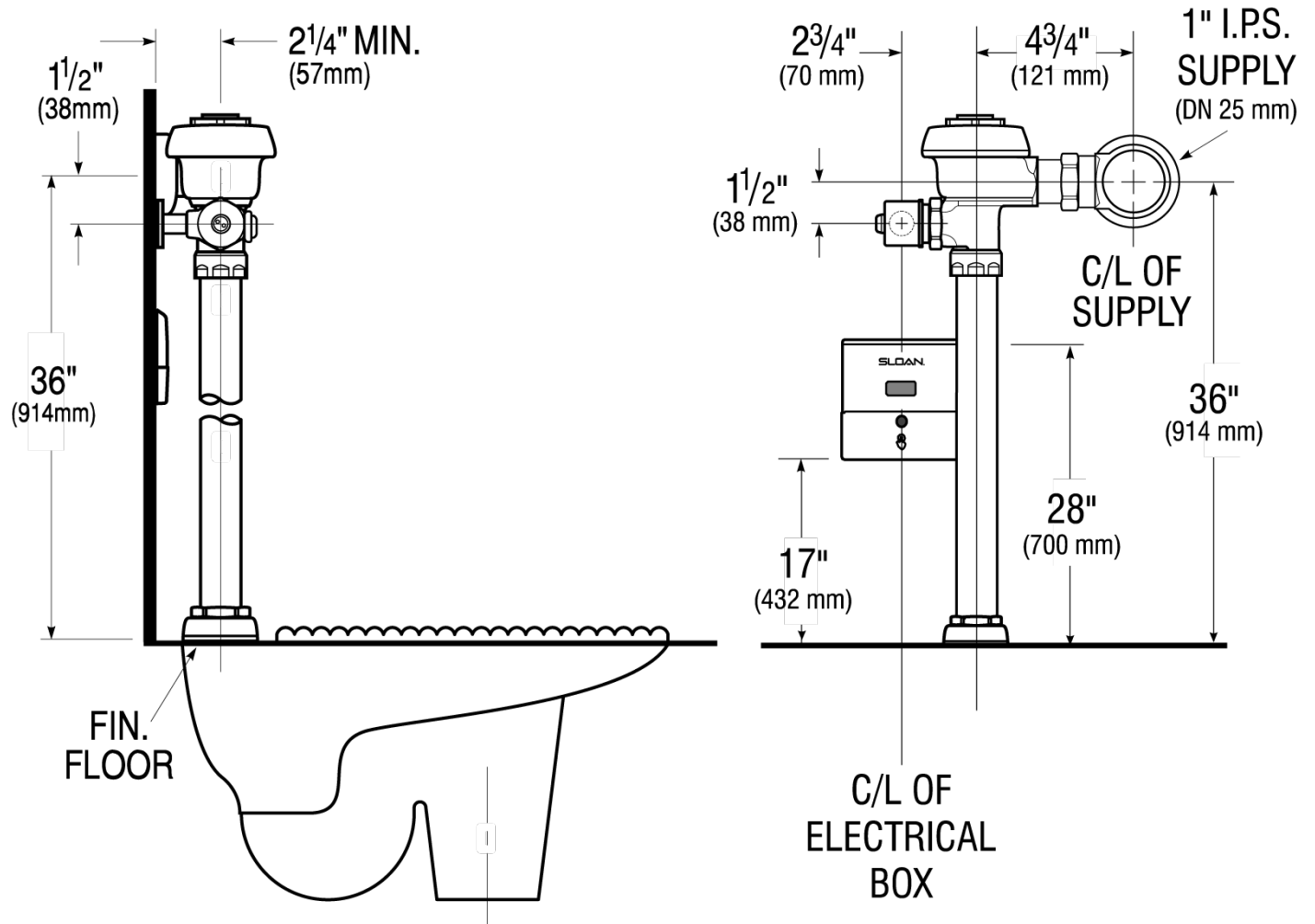
All information contained within this document subject to change without notice.

Looking for other variations of the ROYAL 136 ESS product?
[View the general spec sheet with all options.](#)

[Find a compatible urinal](#) for this flushometer.

[Find a compatible water closet](#) for this flushometer.

ROUGH-IN



Sloan 10500 Seymour Ave, Franklin Park, IL 60131
 Phone: 800.982.5839 • Fax: 800.447.8329 • sloan.com