



**PERRIN & ROWE® 4-HOLE DECK MOUNT MODIFIED C-SPOUT BATHTUB FILLER WITH HANDSHOWER**

Perrin & Rowe® Bath Transitional  
**U.3849X** (Cross Handles)

**FEATURES**

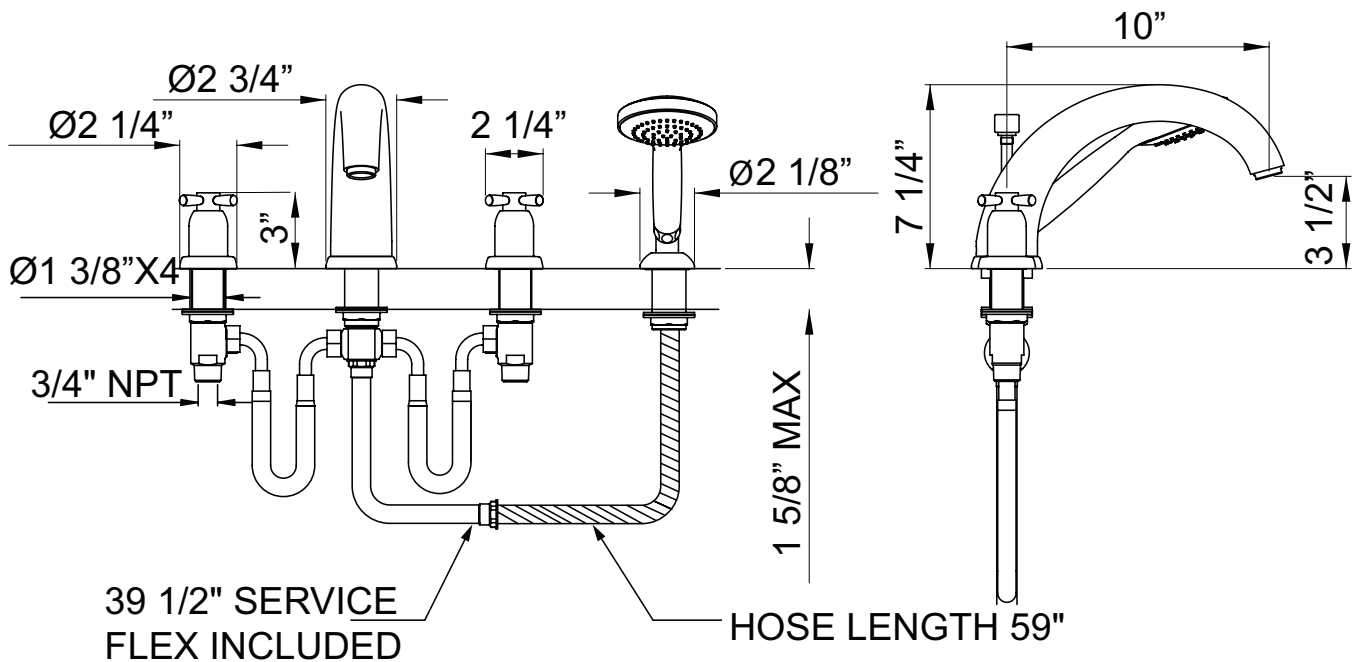
- Spout, valve housing, and handles made from solid brass
- 10" spout reach
- 4 x 1 3/8" hole cutouts
- 1/4-turn ceramic disc valves
- Innovative valve hose connection, complete with flexible stainless steel hose
- 16 - 20 GPM
- 3/4" NPT connections

**COLORS/FINISHES**

- Polished Chrome
- Polished Nickel
- Satin Nickel

**WARRANTY**

- Limited Lifetime

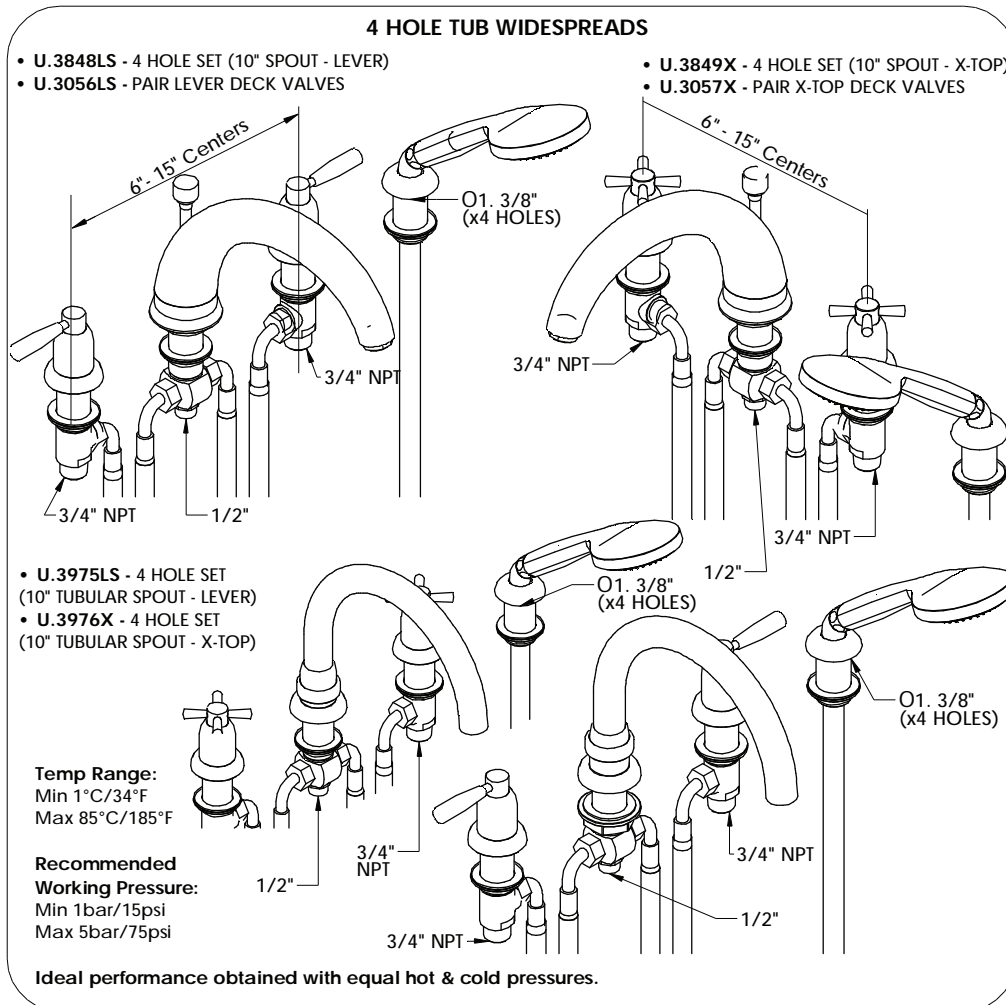


## INSTALLATION INSTRUCTIONS



### The Transitional Bathroom Collection

#### Installation & User Guide



## INSTALLATION INSTRUCTIONS

### The Transitional Bathroom Collection Installation & User Guide

*Congratulations on the purchase of your Perrin & Rowe Bathroom Product. Correctly installed and with sensible care, this product will give you many years of trouble free service.*

#### IMPORTANT INFORMATION

Before you proceed... We recommend you engage the services of a registered plumber to install this product.

For ease of possible future servicing, we also recommend the fitting of conveniently placed isolating valves.

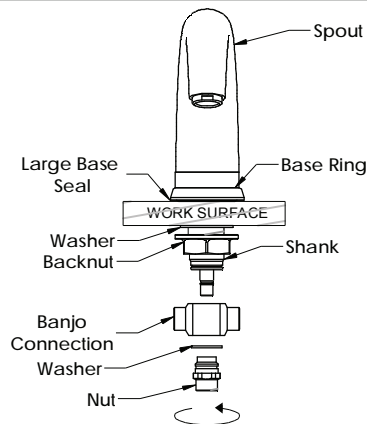
In addition to the guide below it is essential that the written information overleaf is carefully read and understood.

#### Preparation Check Box for Installer

Flush the plumbing system before installing the bathroom product.

Once unpacked remove large & small base seals, rosette, hood & lever, washer, backnut and banjo connection ready for installation.

**1**

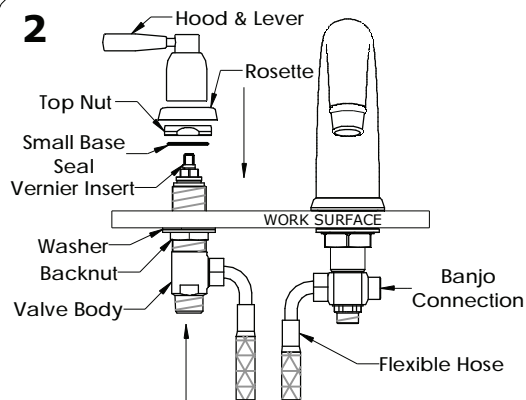


Place backnut onto shank and tighten to underside of work surface.

Fit banjo connection onto shank, taking care not to overtighten.

**Ensure all connections are firmly tightened**

**2**



Sidevalve to be installed from underside of work surface as shown.

Leave backnut at the bottom of valve body and place the valve body up through the work surface hole.

Assemble Top Nut with small base seal and secure down on work surface. Then assemble hood & lever onto the valve body ensuring that it is aligned properly. If it is not, remove and turn a few splines until correct alignment is achieved.

Once fully tightened screw backnut up to the underneath of the work surface.

Connect flexible hose to the valve body and banjo connection as shown.

Repeat this procedure for the second side valve.

## INSTALLATION INSTRUCTIONS

### ROHL WARRANTY POLICY

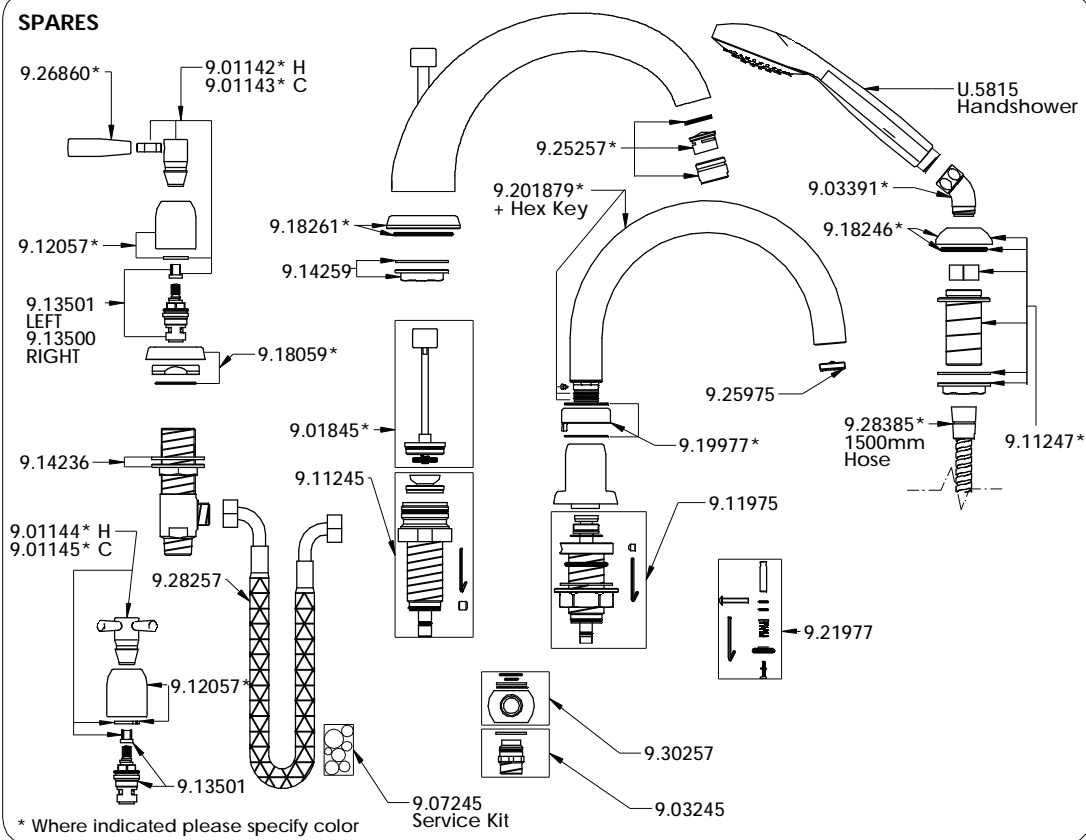
All products supplied by ROHL carry warranties against manufacturing defects.

Perrin & Rowe products carry a Limited Lifetime Warranty.

ROHL LLC will provide free of charge, as its options, replacement part(s) or product (or a comparable alternative product) to replace those which have proven defective in materials or workmanship.

For full ROHL LLC WARRANTY please contact ROHL or visit [www.rohlhome.com](http://www.rohlhome.com)

### SPARES



### SPARE PARTS & SERVICE

**ROHL**  
Authentic Luxury for Kitchen and Bath™

3 Parker  
Irvine  
CA 92618  
(714) 557-1933

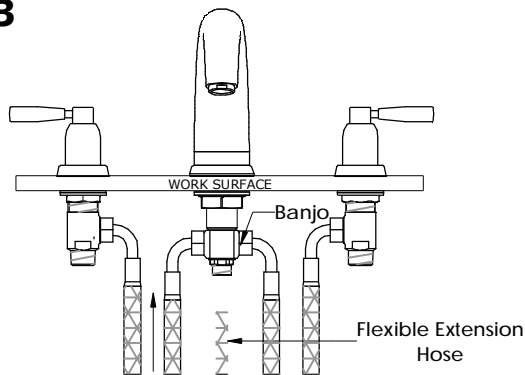
www.rohlhome.com

Perrin & Rowe products are manufactured in the UK, using the latest technology and built to the highest quality standards.

We would like to thank you for purchasing a Perrin & Rowe product and take this opportunity to invite you to look at other luxury products by us. Please contact us to receive our latest catalogue.

## INSTALLATION INSTRUCTIONS

**3**



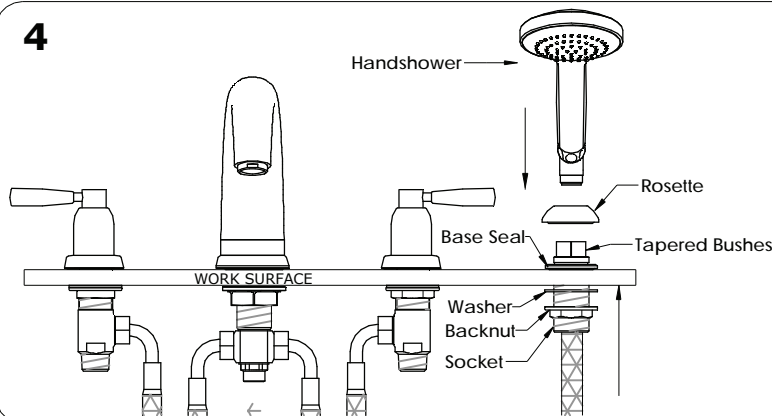
The supplied extension hose is to be fitted to the banjo as shown in the diagram.

This extension hose enables the handshower hose to be pulled up through the handshower socket for ease of future servicing.

**Ensure all connections are firmly tightened.**

**Please Note:** Ceramic disc valves are fitted as standard to this mixer. Flow from FULLY OFF to FULLY ON is achieved by rotating the handles a quarter turn.

**4**



Assemble handshower socket as shown.

Place handshower hose through the socket, nut end first, to leave tapered end showing.

Assemble the two tapered bushes (larger internal diameter to top) then push into socket.

Secure rosette onto socket.

Assemble handshower to flexible hose.

Fit nut end of handshower hose to the end of fitted extension hose.

### BEFORE USE

- Carefully check the installation for leaks.
- If further building work is to be carried out in the vicinity, cover the tap with a plastic bag to avoid damaging the finish.
- Please ensure that the installation complies with local plumbing codes.

### CARE & MAINTENANCE

Wipe down after use to avoid water spotting and mineral build up.

Occasional cleaning with warm soapy water, followed by a polish with a soft cloth is all that is required to keep the plated finish in good condition.

**Do not use proprietary abrasive liquids, powders, or pads to clean the shower. Do not use any products with ammonia bleach or limescale remover. You will damage the plated finish and void your guarantee.**