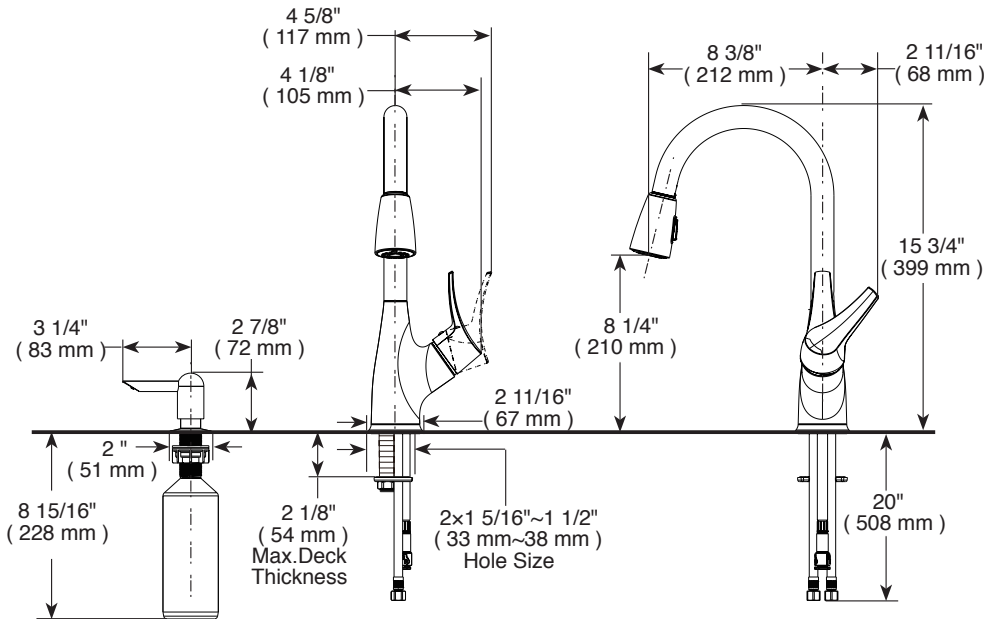


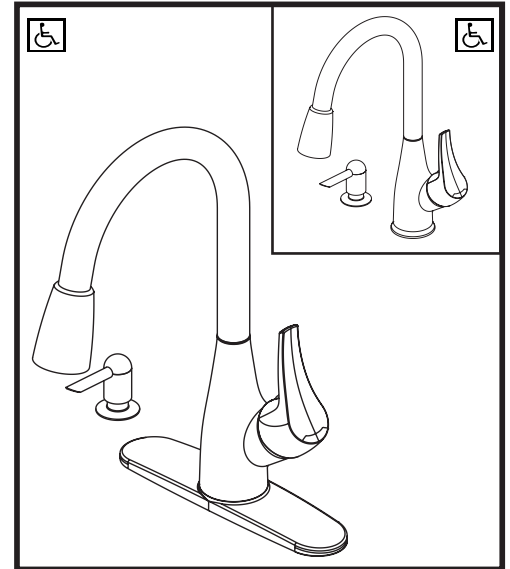
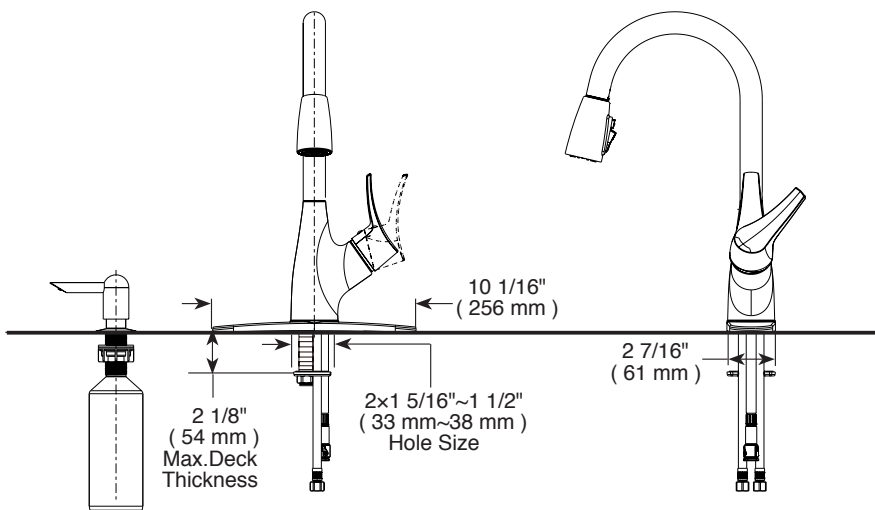
# PEERLESS®

P7901LF-▲SD-W

Mounting without escutcheon plate:



Mounting with escutcheon plate:



## KITCHEN FAUCET:

■ Single handle pull-down

## STANDARD SPECIFICATIONS:

- Maximum flow rate 1.5 gpm @ 60 psi, 5.7 L/min @ 414kPa.
- Single handle, 3-function pull-down kitchen faucet for exposed mounting on 1,2,3,4 hole sinks (escutcheon included).
- 15 3/4" (399mm) high, 8 3/8" (212 mm) long spout, swings 360°.
- Pull-down wand operates in an aerated stream, power spray or spray mode via a toggle diverter with 24" (610 mm) hose.
- Polymer braided flexible supply hose with 9/16 - 24 UNEF thread connection - 20" (508 mm) long.
- Lever handle with ceramic cartridge.
- Model includes soap dispenser.

## WARRANTY:

- Lifetime limited warranty on parts (other than electronic parts and batteries) and finishes; or, for commercial users, for 5 years from the date of purchase.
- 5 year limited warranty on electronic parts (other than batteries); or for commercial users, for 1 year from the date of purchase. No warranty is provided on batteries.

## COMPLIES WITH:

- ASME A112.18.1 / CSA B125.1



Indicates compliance to  
ICC/ANSI A117.1

- Verified compliant with 0.25% weighted average Pb content regulations.

▲ Designate proper finish suffix

PSP-K-P7901LF-SD-W Rev. A