
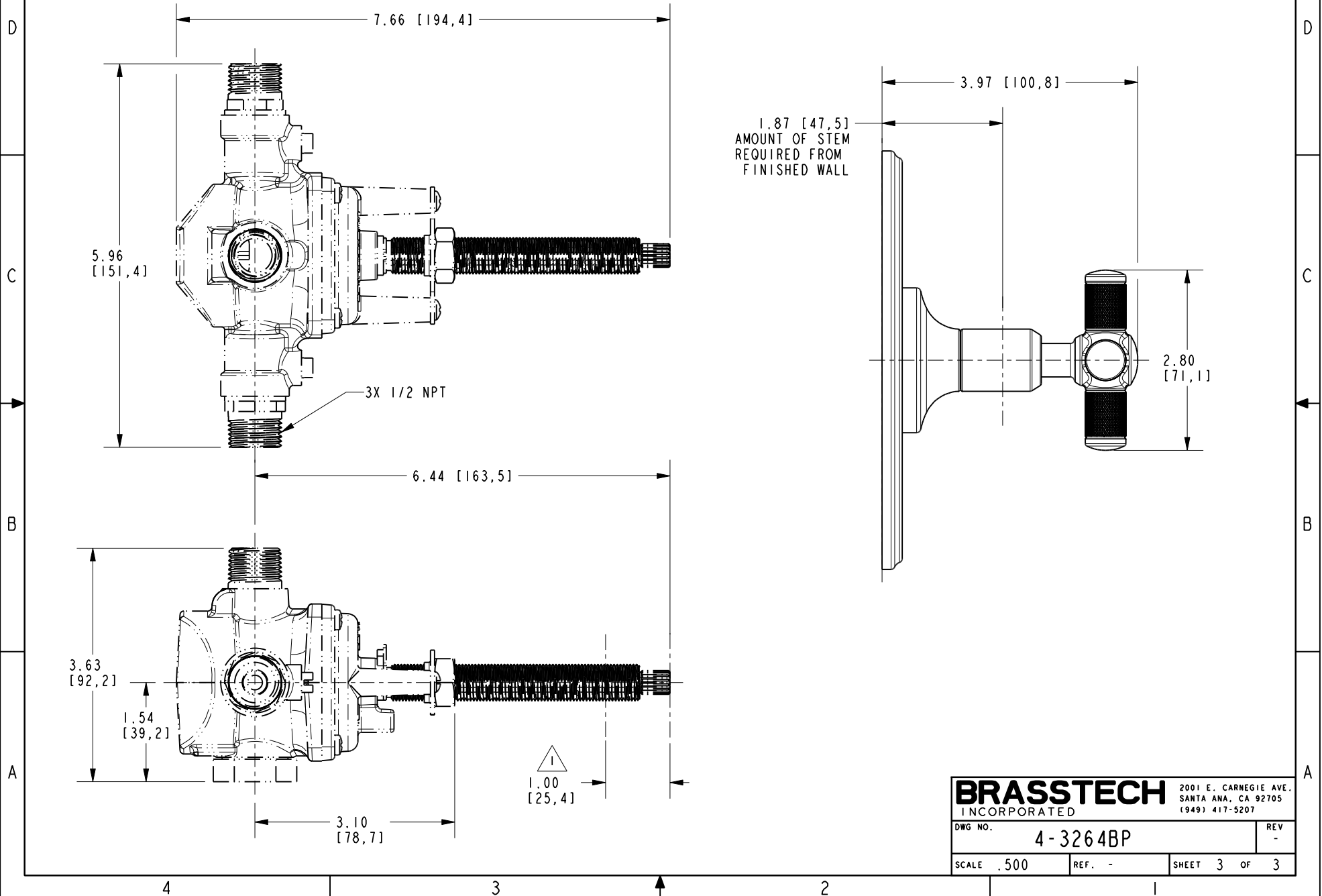


BRASSTECH		2001 E. CARNEGIE AVE. SANTA ANA, CA 92705 (949) 417-5207	
INCORPORATED			
DWG NO.	4-3264BP		REV -
SCALE .500	REF. -	SHEET 2 OF 3	

NOTE:

 CUT ALL THREAD 1.00" SHORTER THAN STEM.



BRASSTECH		2001 E. CARNEGIE AVE. SANTA ANA, CA 92705 (949) 417-5207
DWG NO.	4-3264BP	REV -
SCALE .500	REF. -	SHEET 3 OF 3