

# HAND SHOWER SET - WALL MOUNT

## INSTALLATION INSTRUCTIONS

Model No: 280N, 280A, 280B, 280C, 280G, 280H,  
280K, 280M, 280J



# NEWPORT BRASS

Flawless Beauty. From Faucet to Finish.™

2001 CARNEGIE AVE, SANTA ANA CA 92705

(949) 417-5207

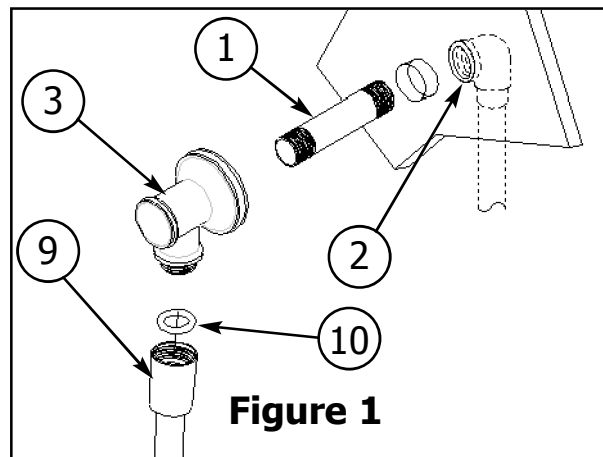
[WWW.NEWPORTBRASS.COM](http://WWW.NEWPORTBRASS.COM)

**We recommend Installation of this product by a Professional Plumbing Contractor**

**Note:** *The use of petroleum based plumber's putty on our products will nullify the warranty. We recommend the use of clear silicone sealing materials. All trim must be installed on finished wall surface.*

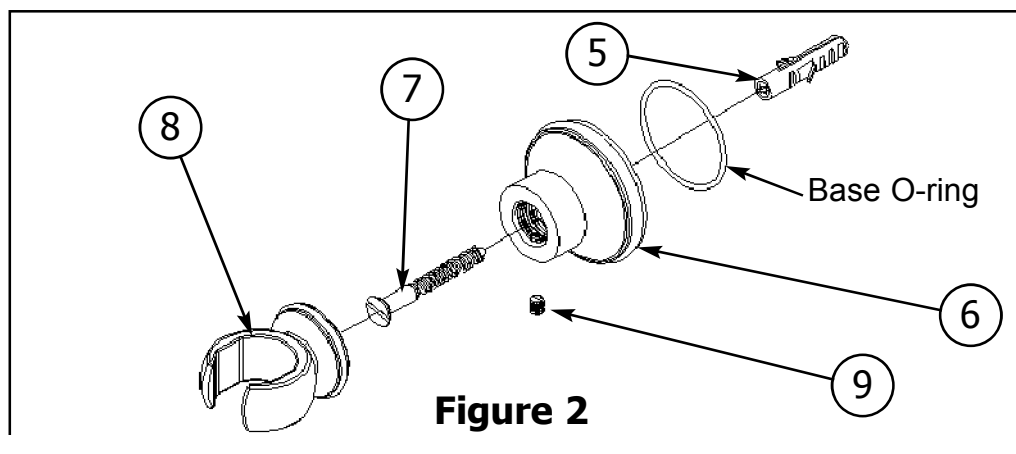
**Supply Elbow Installation:**

- Based on finished wall thickness, installer must use an appropriate length 1/2" NPT NIPPLE (1), not included, for hand SHOWER (8) installation.
- Apply thread sealant to both ends of the NIPPLE (1) and thread into FITTING (2) behind finished wall.
- Attach supply ELBOW (3) onto other end of NIPPLE (1).



**Hand Spray Holder Installation:**

- Locate the desired position of Hand shower on finished wall.
- Mark wall and drill 5/16" hole for wall ANCHORS (5).
- Secure BASE (6) in place with SCREWS (7) by tightened into ANCHORS (5). Secure HOLDER (8) onto BASE (6) with SET SCREW (9).



### **Hand Shower and Hose Installation:**

- Place rubber WASHER (10) into both ends of HOSE (9).
- Attach longer conical end of HOSE (9) onto hand SHOWER (8). Note: This end of HOSE (9) has swivel joint to prevent coiling of HOSE (9).
- Attach the other end of HOSE (9) onto supply ELBOW (3). See Figure 1.
- Place hand SHOWER (8) into HOLDER (6).

