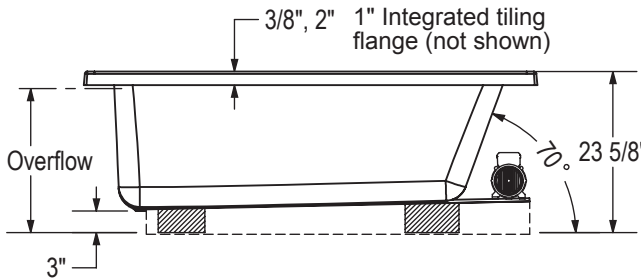
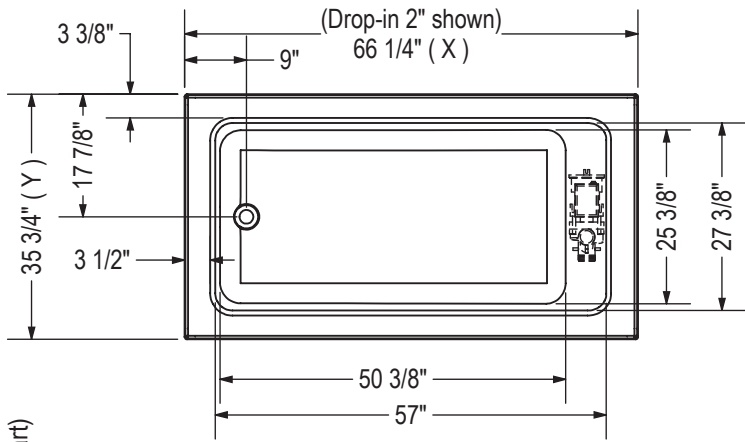


Technical drawing is universal for all 6636 configurations.  
 External dimension (X,Y) vary depending on configuration (see chart)

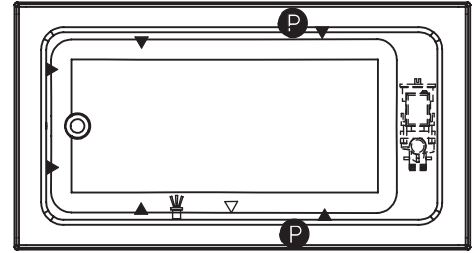


|   | DROP IN 2" | DROP IN 3/8" | ALCOVE / CORNER |
|---|------------|--------------|-----------------|
| X | 66 1/4"    | 66"          | 65 3/4"         |
| Y | 35 3/4"    | 35 5/8"      | 35 5/8"         |

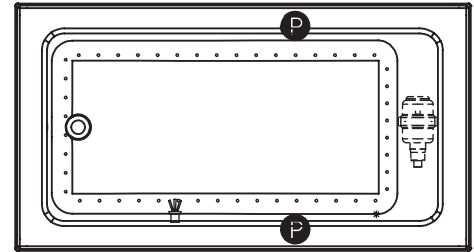
Wood support design may vary.  
 Integrated tiling flange: 1" height X 1/4" thickness (not shown)  
 Tiling flange position is determined by chosen configuration.

All dimensions are approximate.  
 Structure measurement must be verified against the unit to ensure proper fit.

### WHIRLPOOL SYSTEM



### AIR SYSTEM



- ⊙ : Indicates optional grab bar positioning
- ( ▲ ) : Indicates whirlpool jets positioning
- ( △ ) : Indicates suction positioning
- ( ● ) : Indicates airjets positioning
- ( ☹ ) : Indicates chromatherapy light positioning

### APRON (alcove version only)

