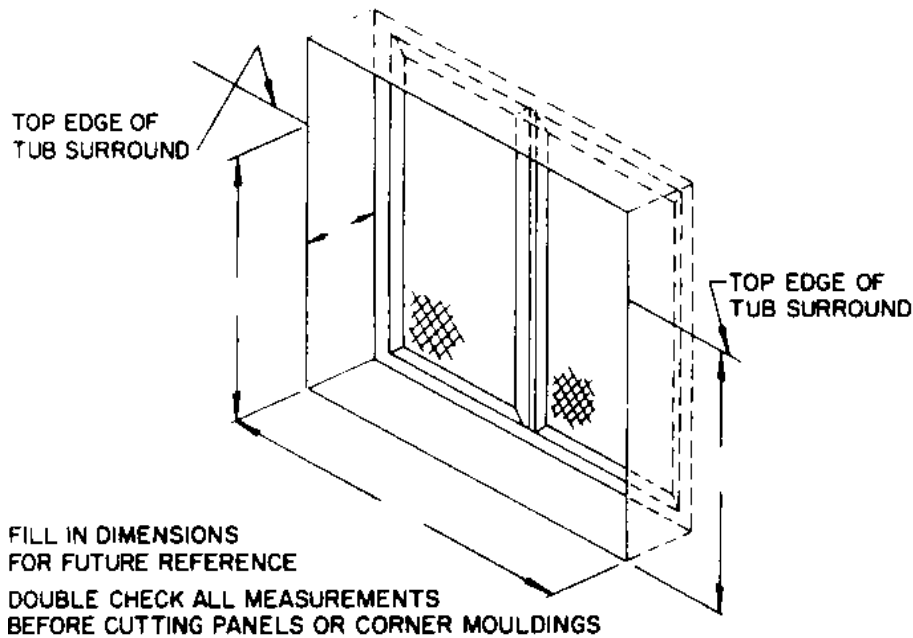
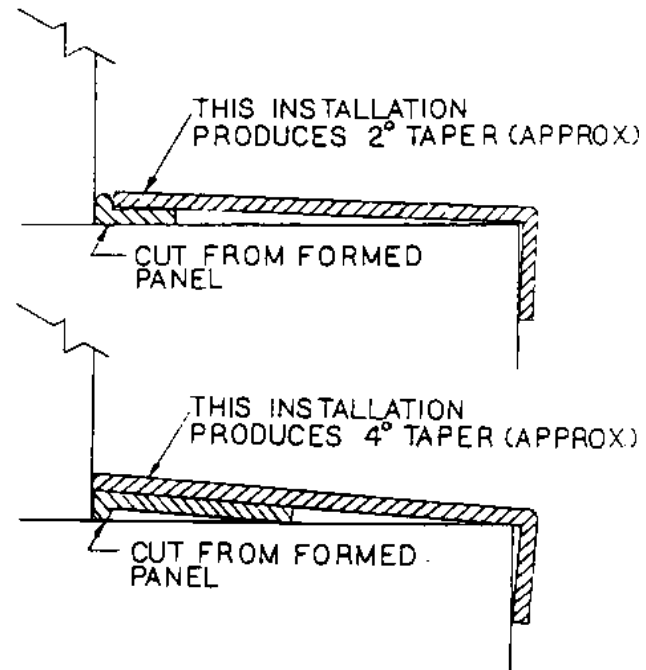


DURATRIM™ Window Kit

FIBERGLASS



INSTALLATION OPTIONS



- * Designed for Mustee Bathtub Wall or any other wall surround.
- * Fits bathtub/alcove windows up to 36" wide x 8" deep.
- * Kit material can be easily trimmed with simple hand tools.
- * Universal Formed Panel may be used for either "Side" or "Sill".

EASY TO INSTALL:

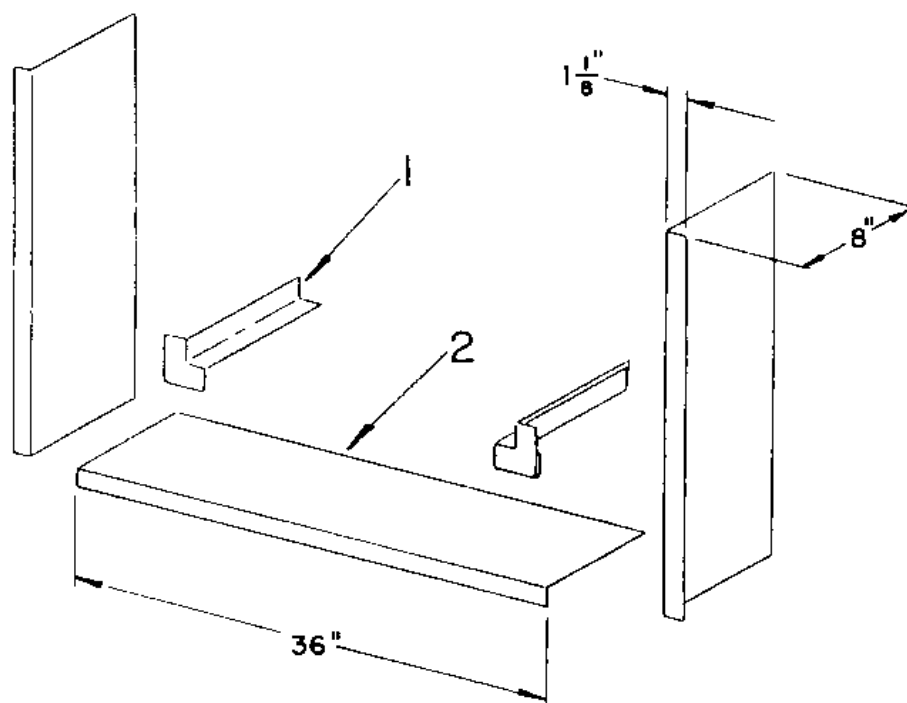
1. Remove original window casing (moulding), sill or stool that protrude into bath alcove area. Measure width and depth of sill and both side jambs (at least to top edge of tub surround).
2. Cut one of the Formed Panels to be used as the "Sill", be sure to leave approximately 1/16" clearance for thermal expansion on width dimension. Be sure bonding surface is clean—it is a good practice to "tack" surface before applying adhesive. Apply adhesive directly to surface, spread with notched trowel, press pre-cut "Sill" panel in place.
3. Measure height of left side of window opening from surface of sill to top edge of tub surround (recommended), measure depth at surface of sill and also at top edge of tub surround. Cut one of the Formed Panels to fit. Follow the same cleaning and bonding procedures as outlined for "Sill" panel.
4. Follow the same procedure for installing the remaining right side panel—**BE SURE** to remeasure the right side, do not assume that the dimensions are the same for both left and right sides.
5. Caulk seams where side panels overlap sill panel — use smallest bead possible.

6. Apply adhesive to underside of Corner Moulding, position in either corner and press in place. Follow same procedure for remaining Corner Moulding.
7. Do not use abrasive cleansers to clean window kit, use liquid or spray cleaners such as: "Clorox" Tub-n-Tile Cleaner, "409" or "Soft-Scrub". A periodic coating of a quality silicone wax will retain the fine gloss finish of your Window Trim Kit as well as your tub surround.

SPECIAL NOTICE!!!

After cleaning excess adhesive with the proper material as specified by adhesive manufacturer – **IMMEDIATELY WASH UNIT COMPLETELY WITH A SOAP WATER SOLUTION.** This will neutralize any continuing chemical reaction between the solvent and window kit material. **FAILURE TO WASH AWAY SOLVENT MAY CAUSE BLEACHING OR LOSS OF COLOR IN WINDOW KIT MATERIAL.**

PARTS ILLUSTRATION



KEY NO.	PART NUMBER		DESCRIPTION
	WHITE	BONE	
1	300.605	300.606	Corner Moulding - 2 Req'd
2	300.604	300.603	Formed Panel - 3 Req'd
3*	36.704	36.704	Adhesive Cartridge
4*	300.721	300.706	Caulking

*Items Not Shown