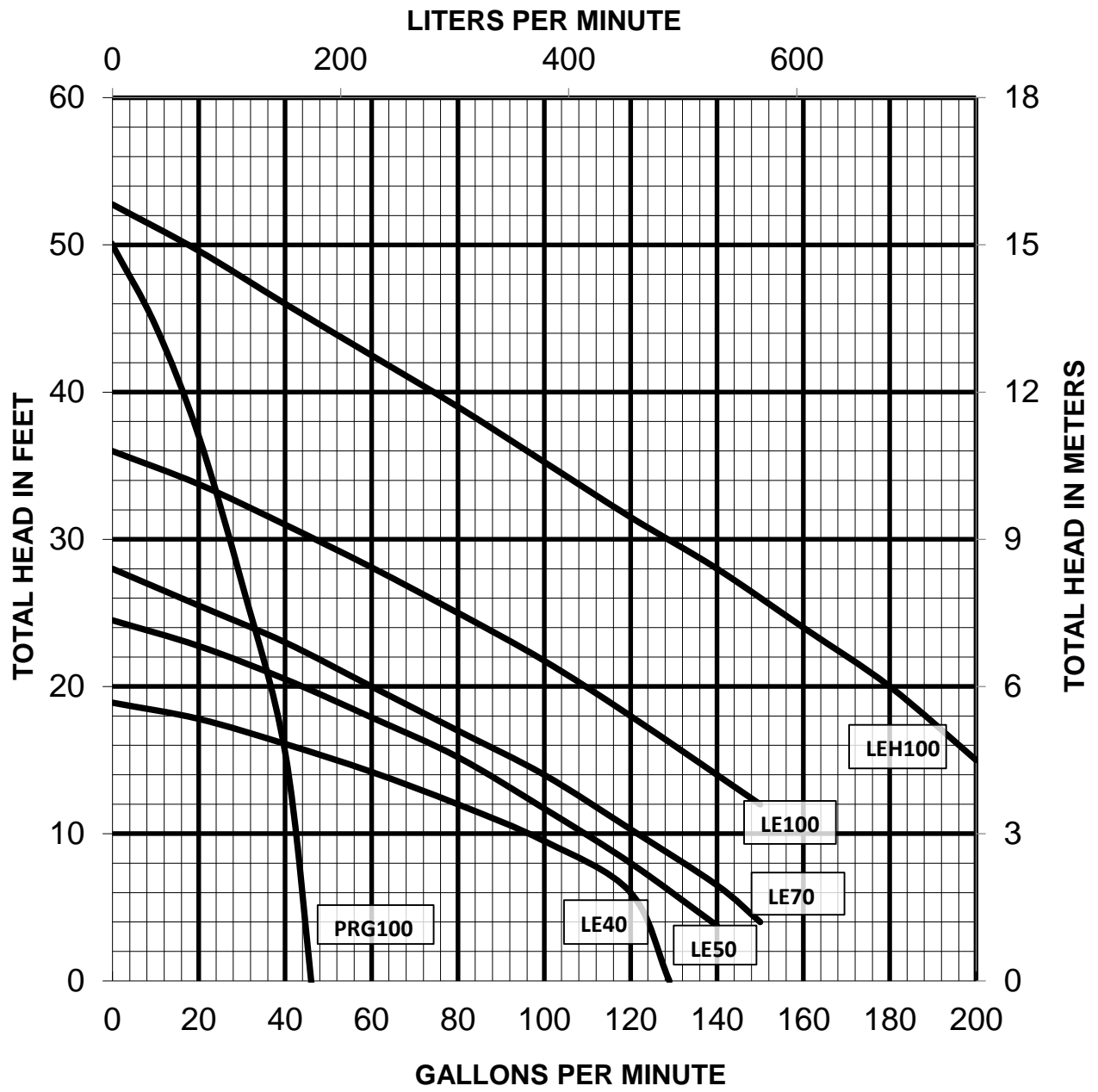
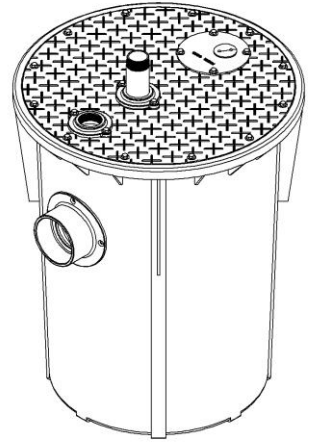


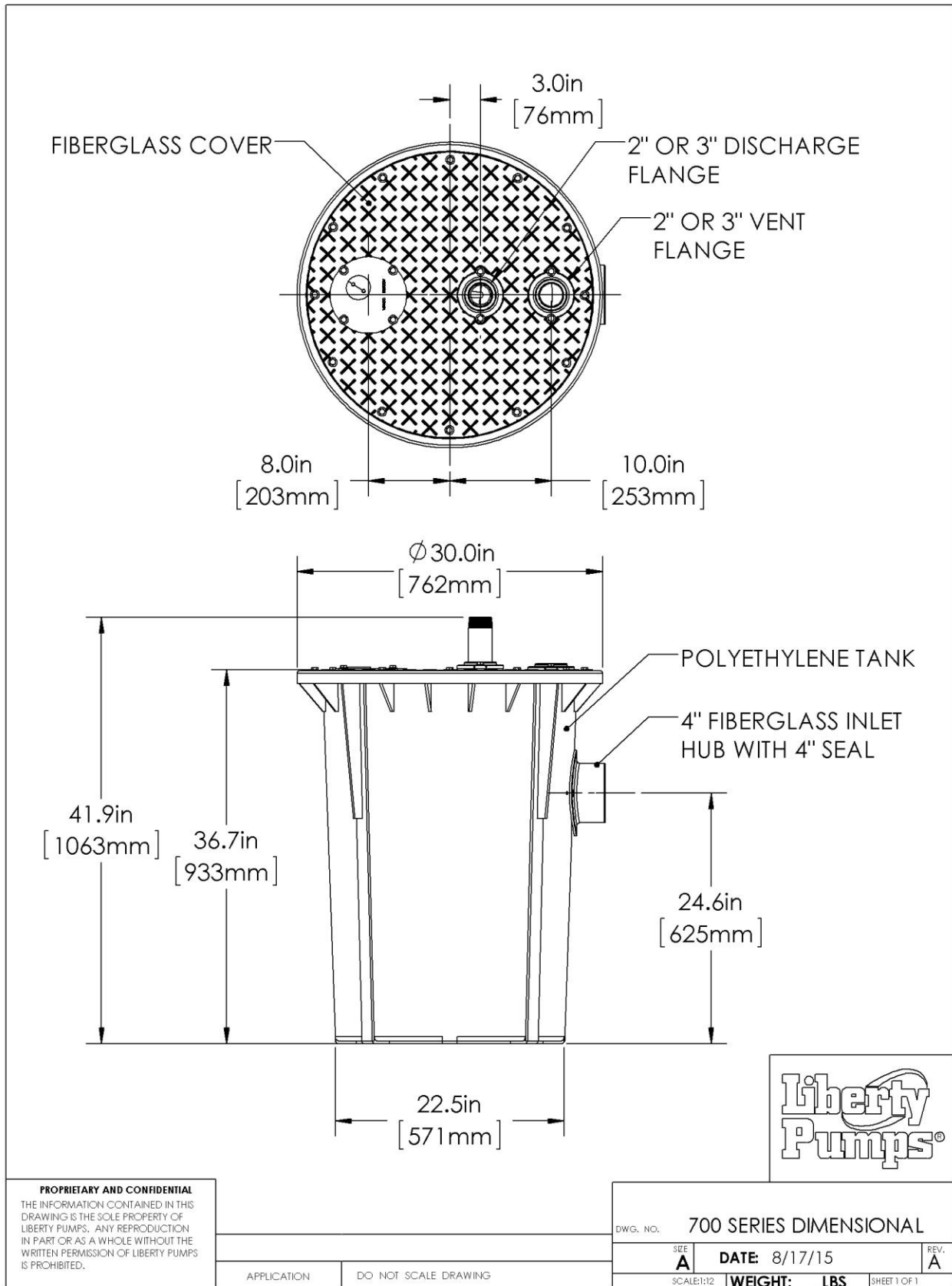


Pump Specifications

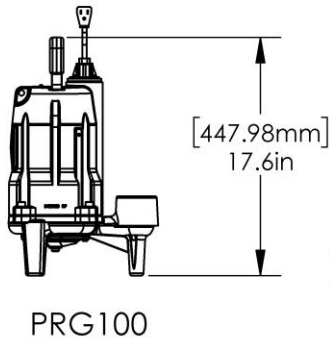
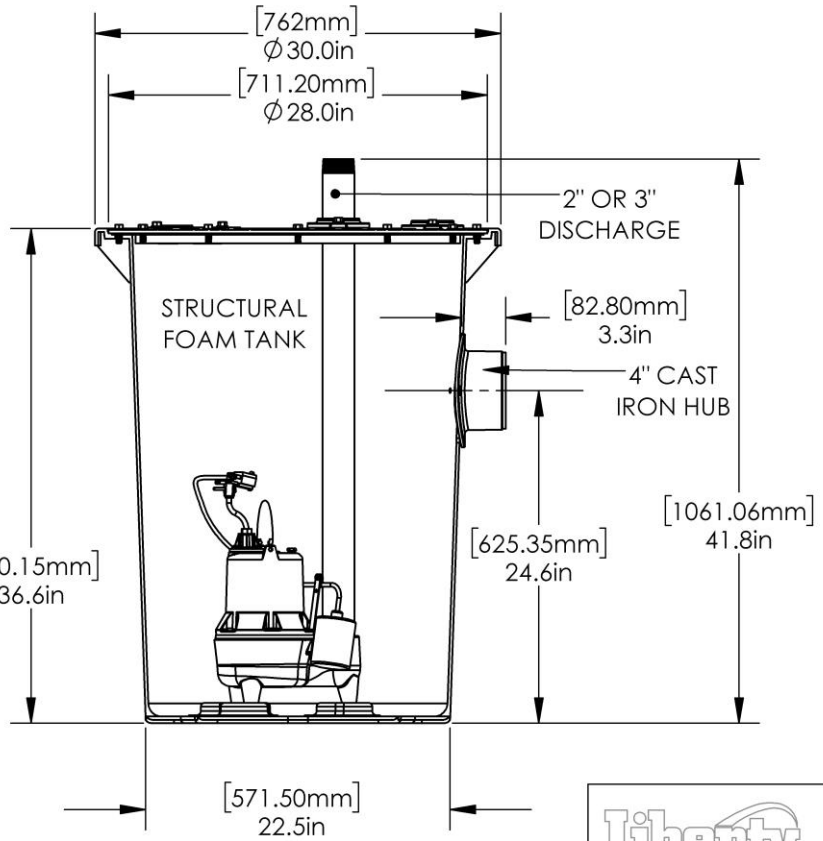
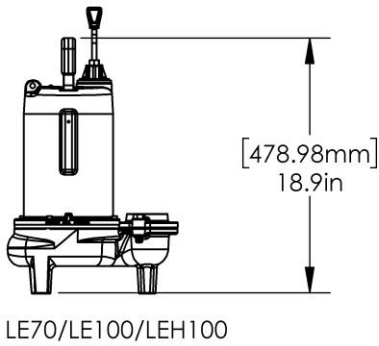
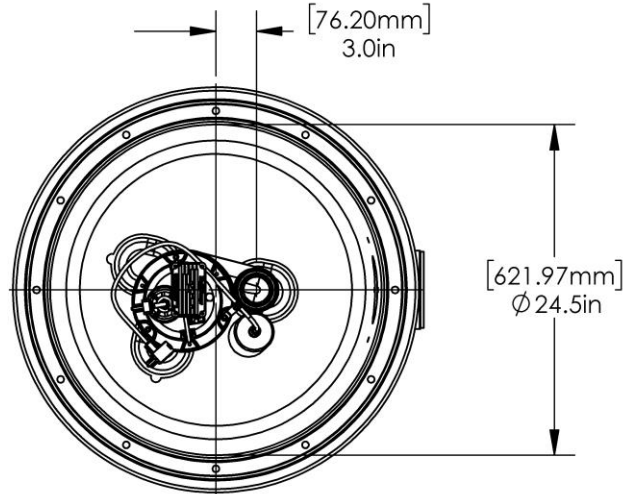
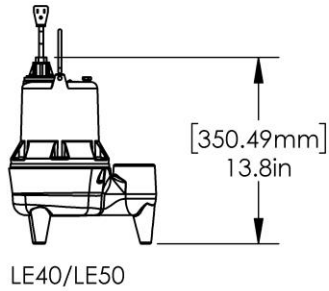
700-Series
Pre-assembled Simplex Sewage System
24" x 36", 70 Gallon



700-Series Dimensional Data



AVAILABLE SERIES:



PROPRIETARY AND CONFIDENTIAL
 THE INFORMATION CONTAINED IN THIS DRAWING IS THE SOLE PROPERTY OF LIBERTY PUMPS. ANY REPRODUCTION IN PART OR AS A WHOLE WITHOUT THE WRITTEN PERMISSION OF LIBERTY PUMPS IS PROHIBITED.

APPLICATION		DO NOT SCALE DRAWING		DWG. NO.	700 SERIES DIMENSIONAL	
				SIZE	DATE: 02/06/17	
				SCALE: 1:12	SHEET 1 OF 1	

700-Series Electrical Data

MODEL	HP	VOLTAGE	PHASE	SF	FULL LOAD AMPS	LOCKED ROTOR AMPS	THERMAL OVERLOAD TEMP	STATOR WINDING CLASS	DISCHARGE	AUTOMATIC
702/LE41A	4/10	115	1	1.00	12	22	105°C 221°F	B	2"	YES
702/LE51A	1/2	115	1	1.00	12	22.5	105°C 221°F	B	2"	YES
702/LE52A	1/2	208-230	1	1.00	6.8	12	105°C 221°F	B	2"	YES
702/LE71A	3/4	115	1	1.00	12	28	105°C 221°F	B	2"	YES
702/LE72A	3/4	208-230	1	1.00	6	13	105°C 221°F	B	2"	YES
702/LE102A	1	208-230	1	1.00	8	21	105°C 221°F	B	2"	YES
702/LEH102A	1	230	1	1.00	12	28.6	120°C 248°F	B	2"	YES
703/LE41A	4/10	115	1	1.00	12	22	105°C 221°F	B	3"	YES
703/LE51A	1/2	115	1	1.00	12	22.5	105°C 221°F	B	3"	YES
703/LE52A	1/2	208-230	1	1.00	6.8	12	105°C 221°F	B	3"	YES
703/LE71A	3/4	115	1	1.00	12	28	105°C 221°F	B	3"	YES
703/LE72A	3/4	208-230	1	1.00	6	13	105°C 221°F	B	3"	YES
703/LE102A	1	208-230	1	1.00	8	21	105°C 221°F	B	3"	YES
703/LEH102A	1	230	1	1.00	12	28.6	120°C 248°F	B	3"	YES
702/PRG101A	1	115	1	1.00	12	47.5	105°C 221°F	B	2"	YES
702/PRG102A	1	230	1	1.00	6	23.7	105°C 221°F	B	2"	YES

700-Series Technical Data

TANK	HEAVY-DUTY POLYETHYLENE BASIN
COVER	COMPRESSION MOLDED FIBERGLASS
INLET HUB	4" (PREASSEMBLED)
DISCHARGE PIPING	SCHEDULE 80 PVC (GALVANIZED OR STAINLESS STEEL OPTIONAL)
PUMP RESTRAINT	TORQUE-STOPS SECURE PUMP LEGS
CONTROLS	PIGGY BACK FLOATS (EXCLUDING 702/LEH102M)
IMPELLER	SEE INDIVIDUAL PUMP MODELS SPEC SHEET
SOLIDS HANDLING SIZE	SEE INDIVIDUAL PUMP MODELS SPEC SHEET
PAINT	SEE INDIVIDUAL PUMP MODELS SPEC SHEET
MAX LIQUID TEMP	SEE INDIVIDUAL PUMP MODELS SPEC SHEET
MAX STATOR TEMP	SEE INDIVIDUAL PUMP MODELS SPEC SHEET
THERMAL OVERLOAD	SEE INDIVIDUAL PUMP MODELS SPEC SHEET
POWER CORD TYPE	SEE INDIVIDUAL PUMP MODELS SPEC SHEET
MOTOR HOUSING	SEE INDIVIDUAL PUMP MODELS SPEC SHEET
VOLUTE	SEE INDIVIDUAL PUMP MODELS SPEC SHEET
SHAFT	SEE INDIVIDUAL PUMP MODELS SPEC SHEET
HARDWARE	SEE INDIVIDUAL PUMP MODELS SPEC SHEET
ORINGS	SEE INDIVIDUAL PUMP MODELS SPEC SHEET
MECHANICAL SEAL	SEE INDIVIDUAL PUMP MODELS SPEC SHEET
MIN BEARING LIFE	SEE INDIVIDUAL PUMP MODELS SPEC SHEET

700-Series Specifications

SYSTEM

The ejector system shall be model _____ / _____ as manufactured by Liberty Pumps, Bergen, N.Y. or equal. The system shall be factory pre-assembled with pump and automatic controls(s) pre-mounted requiring no system assembly at job-site.

BASIN

The basin shall be constructed of heavy duty rotationally molded polyethylene. Dimensions shall be 24" diameter x 36" high and shall have a total capacity of 70 U.S. gallons. The inlet hub shall be 4" and preassembled to basin. The basin shall have "torque-stops" to locate and retain the pump in its proper position.

WARRANTY

Standard limited warranty shall be 3 years.

COVER

The cover shall be constructed of fiberglass, be 28" in diameter, and shall have a (2" or 3") discharge and vent flange. All cover hardware shall be stainless steel.

PUMP

See specific LE-Series or PRG-Series literature for pump performance and technical specifications. See sewage accessories and controls literature for alarms and other optional equipment.