

SUBMITTAL SHEET

JOB NAME		ITEM TAG
JOB LOCATION		PART NUMBER
CONTRACTOR	DATE	
ENGINEER APPROVAL	DATE	



NO LEAD BRASS SILLCOCKS

T/S-514NL

Lead-free design is suitable for all no-lead potable water installations, in full compliance of the National lead-free plumbing law.

Full-pattern forged brass body is more durable than competitors' cast reduced-material examples.

Diamond-shaped sill flange offers enhanced coverage of the sill hole and extended spacing between the fastener holes, for better tool access when attaching to the sill. An improvement over round sill flange types.

*3/4" GHT outlets accept 3/4" hose-thread-mounted vacuum breakers, including our models T-553, T-553C, T-554, T-557, and T-557C.

Available in nominal 1/2" and 3/4" FNPT or copper sweat inlet x 3/4" MGHT hose thread outlet sizes.

**Vacuum breaker not included, but typically required in most municipalities.*

Working Pressure, Non Shock (PSI)

Cold working pressure (CWP): 125 psi
Saturated steam (WSP): Not suitable for steam service

DIMENSIONS						
Size	A	B (closed)	C	D	E	
1/2" FNPT x 3/4" MGHT	2.09	2.25	2.36	2.09	2.91	
3/4" FNPT x 3/4" MGHT	2.09	2.25	2.36	2.09	2.91	
1/2" Sweat x 3/4" MGHT	2.09	2.25	2.36	2.09	2.91	
3/4" Sweat x 3/4" MGHT	2.09	2.25	2.36	2.09	2.91	

Certifications/Listings:

Third-party certified.
NSF/ANSI 61: Drinking Water System Components - Health Effects.
NSF/ANSI 372: Drinking Water System Components – Lead Content
ASME A112.18.1/CSA B125.1: Plumbing Supply Fittings – Lawn and Sediment Faucet

Standards:

ANSI/ASME B1.20.1: Pipe Threads, General Purpose, Inch.
ANSI/ASME B16.18: Cast Pressure Alloy Solder-Joint Pressure Fittings (solder connection).
ANSI/ASME B1.20.7: Hose Coupling Screw Threads, Inch.



Pictured:
T-514NL FNPT



Pictured:
T-514NL FNPT
(side-view)



Pictured:
S-514NL SWT

SUBMITTAL SHEET

JOB NAME	ITEM TAG
JOB LOCATION	PART NUMBER
CONTRACTOR	DATE
ENGINEER APPROVAL	DATE



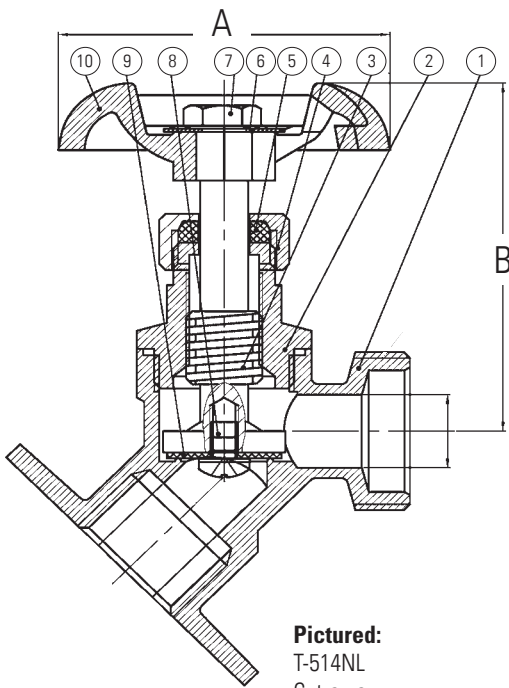
NO LEAD BRASS SILLCOCKS
T/S-514NL



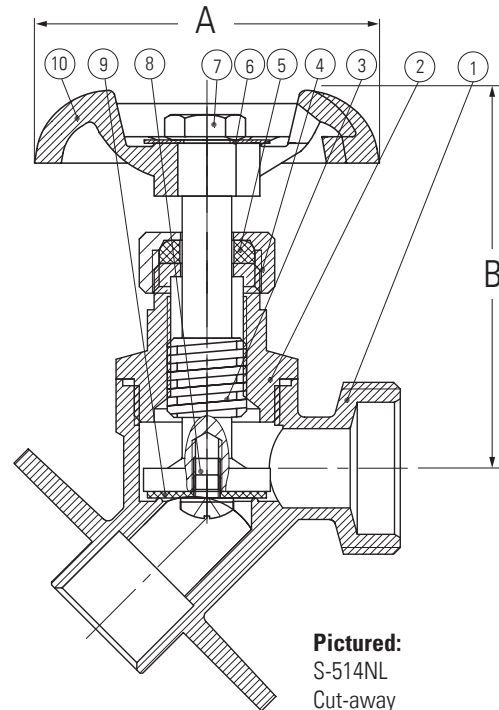
Pictured:
T-514NL FNPT



Pictured:
S-514NL SWT



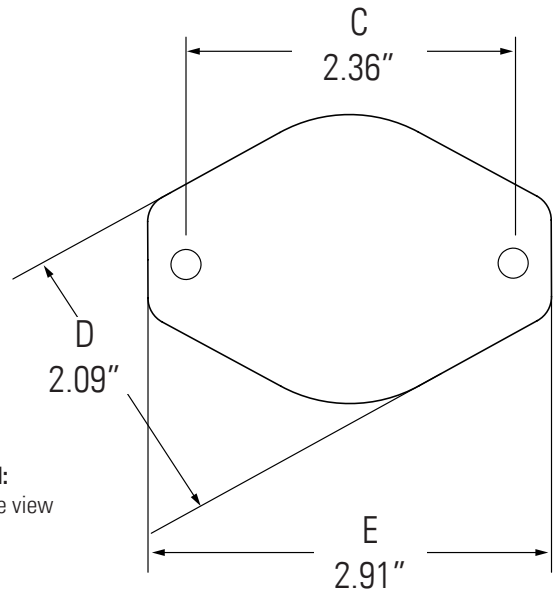
Pictured:
T-514NL
Cut-away



Pictured:
S-514NL
Cut-away

MATERIAL SPECIFICATION			
PART	MATERIAL	SPECIFICATION	
1 Body	Lead-free forged brass	ASTM B171 UNS Alloy C46500	
2 Bonnet	Lead-free forged brass	ASTM B171 UNS Alloy C46500	
3 Stem	Lead-free forged brass	ASTM B171 UNS Alloy C46500	
4 Packing nut	Forged brass	ASTM B124 UNS C37700	
5 Stem packing	PTFE	Commercial grade Teflon™	
6 Identification disc	Aluminum	ASTM B209-1100	
7 Handle nut	Stainless steel	AISI grade 304	
8 Seat retaining screw	Lead-free forged brass	ASTM B171 UNS Alloy C46500	
9 Seat washer	EPDM elastomer	Commercial grade	
10 Handle	Cast iron	ASTM A48 Class 35	

*PTFE Teflon is a registered trademark of the Dow/DuPont Company.



Pictured:
Sill flange view