

# SUBMITTAL SHEET

JOB NAME \_\_\_\_\_ ITEM TAG \_\_\_\_\_

JOB LOCATION \_\_\_\_\_ PART NUMBER \_\_\_\_\_

CONTRACTOR \_\_\_\_\_ DATE \_\_\_\_\_

ENGINEER APPROVAL \_\_\_\_\_ DATE \_\_\_\_\_

## LEAD-FREE FULL PORT PEX BALL VALVE WITH DRAIN

### T-2007NL

Lead-free design is suitable for all no-lead potable water installations, in full compliance of all lead-free plumbing laws.

Durable, compact, forged brass body is ideal for confined installations.

Different end connections permit transition from copper tubing to PEX tubing.

Maintenance-free dual O-ring, blowout-proof stem design.

Self-cleaning chrome-plated ball resists mineral build-up.

The capped waste port permits component isolation and drain-down, for servicing or replacement operations.

The waste port is located at the PEX end, verses solder cup end, reducing the chance of being clogged with excess solder.

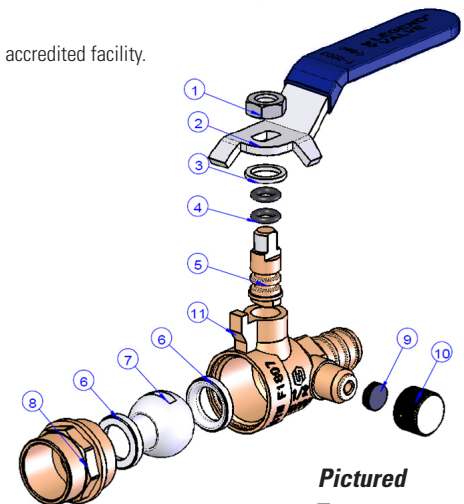
Available in nominal sizes 1/2" to 1"

- Third-party tested and certified in compliance with U.S. Federal Public Law 111-380 (National lead-free plumbing law).

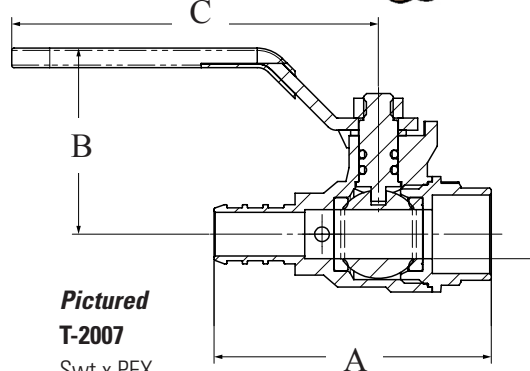
- IAPMO tested and certified in compliance with ANSI / NSF Standard 61-G and 14.

- End connections comply with:  
ANSI / ASME B16.18 (CTS solder)  
ASTM F1807 (PEX barb)

- Manufactured in an ISO 9002 accredited facility.

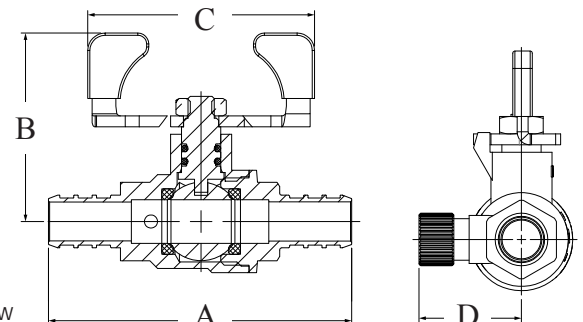


**Pictured T-2007**  
Swt x PEX  
Exploded View



**Pictured T-2007**

Swt x PEX  
Cut-away



**Pictured T-2007**

PEX x PEX Cut-away / Side view

### Working Pressure, Non Shock (PSI)

Cold working pressure (CWP): 400 CWP  
Saturated Steam: Not suitable for steam service

### MATERIAL SPECIFICATION

PART	MATERIAL	SPECIFICATION
1 Handle nut	Zinc plated carbon steel	ASTM A 283 Grade C
2 Handle	Zinc plated carbon steel	ASTM A 283 Grade C
3 Anti-friction washer	Virgin PTFE	Telfon®
4 Stem O-rings (2)	EPDM Rubber	Commercial grade
5 Stem	Lead-free DZR forged brass	UNS Alloy C46500
6 Seats (2)	PTFE	Telfon®
7 Ball	Lead-free DZR forged brass	UNS Alloy C46500
8 End adapter	Lead-free DZR forged brass	UNS Alloy C46500
9 Waste cap gasket	EPDM Rubber	Commercial grade
10 Waste cap	Forged brass	UNS C37700 Alloy
11 Body	Lead-free DZR forged brass	UNS Alloy C46500

\*Telfon is a registered trademark of DuPont.

### DIMENSIONS

Size		A	B	C	D
1/2"	SwT x PEX	2.21	1.49	2.95	0.93
3/4"	SwT x PEX	2.57	1.57	3.17	0.93
1"	SwT x PEX	3.23	1.97	4.17	1.46
1/2"	PEX x PEX	2.74	1.69	2.05	0.93
3/4"	PEX x PEX	2.80	1.73	2.05	0.93
1"	PEX x PEX	3.39	1.77	20.5	1.46