

SUBMITTAL SHEET

JOB NAME	ITEM TAG
JOB LOCATION	PART NUMBER
CONTRACTOR	DATE
ENGINEER APPROVAL	DATE

PVC Union

PVC Schedule 40 Union

Designed for Schedule 40 PVC piping systems.
 Constructed of non-conductive, corrosion-proof virgin PVC resin.
 Ideal for making a system serviceable, by permitting disassembly and re-assembly.
 Not suitable for compressed air or compressed gases.
 Available in solvent-weld Nominal Pipe Sizes 1/2" to 2".



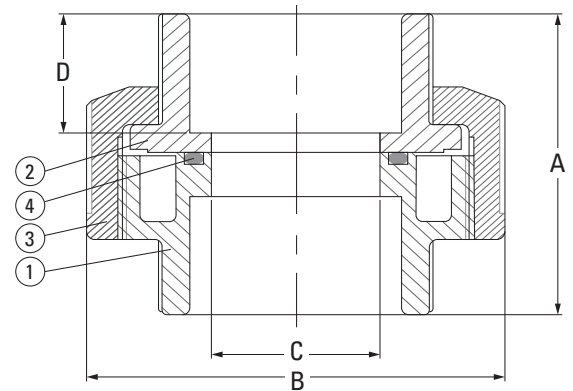
**Pictured:
PVC Schedule 40 Union**

Working Pressure, Non Shock (PSI)

Cold working pressure (CWP): 150 psi @ 73 °F
 Saturated steam (WSP): Not suitable for steam service
 Maximum Service Temperature: 140 °F

DIMENSIONS

NOMINAL PIPE SIZE	A	B	C	D
1/2"	2.20	1.83	0.53	0.87
3/4"	2.52	2.17	0.65	1.00
1"	2.83	2.60	0.87	1.13
1-1/4"	3.43	3.23	1.18	1.25
1-1/2"	3.54	3.86	1.50	1.38
2"	3.86	4.72	1.89	1.50



**Pictured:
PVC Schedule 40 Union
Cut-away view**

MATERIALS

PART	MATERIAL	SPECIFICATION
1 Body	Polyvinyl Chloride (PVC)	ASTM D1784, Class 12454
2 End Adapter	Polyvinyl Chloride (PVC)	ASTM D1784, Class 12454
3 Union Nut	Polyvinyl Chloride (PVC)	ASTM D1784, Class 12454
4 O-ring	EPDM	Commercial Grade

Certifications / Standards:

Third-party certified:
 ASTM F1970: Standard Specification for Special Engineered Fittings, Appurtenances or Valves for use in Poly (Vinyl Chloride) (PVC) or Chlorinated Poly (Vinyl Chloride) (CPVC) Systems.
 ASTM D2466: Standard Specification for Poly (Vinyl Chloride) (PVC) Plastic Pipe Fittings, Schedule 40.
 ASTM D1784: Standard Specification for Rigid Poly (Vinyl Chloride) (PVC) Compounds and Chlorinated Poly (Vinyl Chloride) (CPVC) Compounds.