

Features

- A single handle controls both on/off activation and temperature setting.
- 9" (229 mm) spout reach.
- 7.5 gpm (28.4 lpm) maximum bath faucet flow rate at 45 psi (3.1 bar).
- 1.75 gpm (6.6 lpm) maximum handshower flow rate at 80 psi (5.5 bar).
- KOHLER ceramic disc valves exceed industry longevity standards for a lifetime of durable performance.
- Coordinates with other products in the Riff collection.

Material

- Premium metal construction for durability and reliability.
- KOHLER finishes resist corrosion and tarnishing.

Installation

- Floor-mount.

Required Products/Accessories

For freestanding installation
K-97339 Multiproduct Mounting-block

Recommended Products/Accessories

K-23723 Faucet cleaner

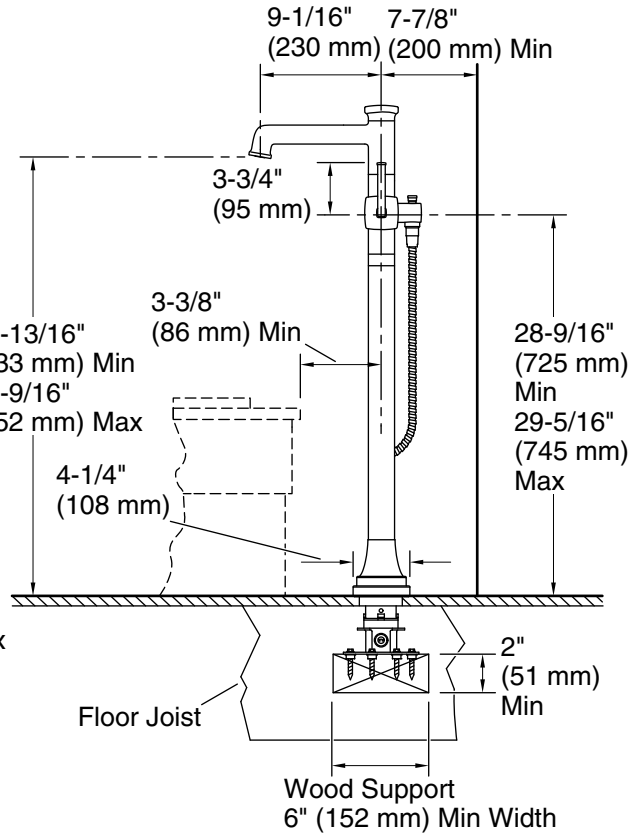
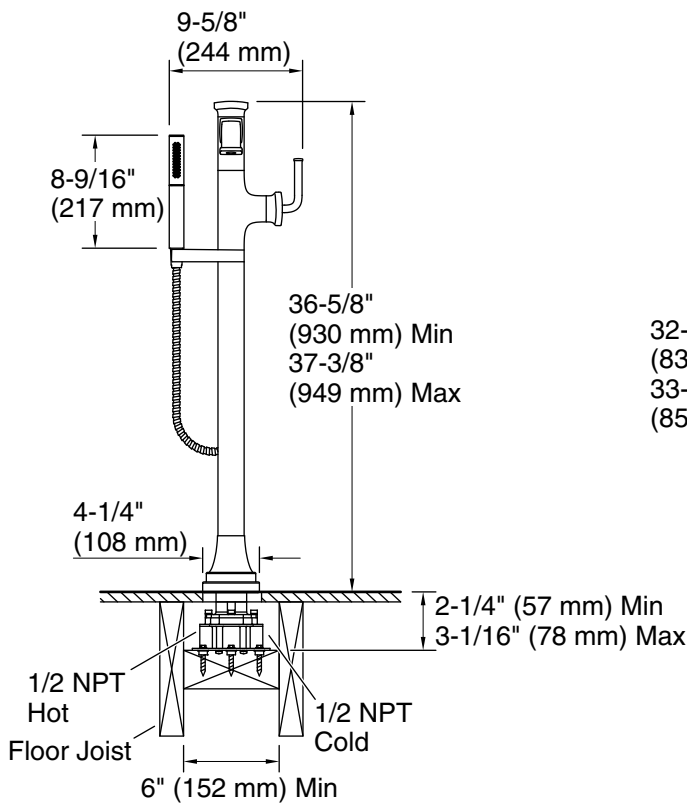


Codes/Standards

ASME A112.18.1/CSA B125.1
DOE - Energy Policy Act 1992
EPA WaterSense®
California Energy Commission (CEC)

KOHLER® Faucet Lifetime Limited Warranty

See website for detailed warranty information.



Technical Information

All product dimensions are nominal.

Drain included: No

Notes

Install this product according to the installation instructions.