

Features

- High-arch 360° rotating swing spout offers vertical clearance for filling pitchers.
- 8-1/8 (206 mm) swing spout reach.
- 1.5 gpm (5.7 l/min) maximum flow rate at 60 psi (4.14 bar).
- Single lever handle makes adjusting water temperature easy with one hand.
- Temperature memory allows faucet to be turned on and off at the temperature set during prior usage.
- KOHLER® ceramic disc valves exceed industry longevity standards, ensuring durable performance for life.

Material

- Premium metal construction.
- KOHLER finishes resist corrosion and tarnishing.

Installation

- Deck-mount.
- Single-hole.
- Flexible supply lines simplify installation.

Recommended Products/Accessories

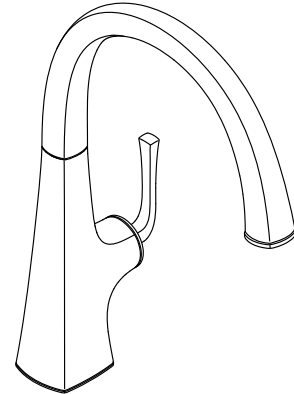
1054432 1.5 GPM (5.7 l/min) Aerator Kit

Optional Products/Accessories

K-22071 Three-hole kitchen faucet escutcheon

Included Components

Additional Components:
Flexible supply lines



ADA CSA B651

Codes/Standards

ASME A112.18.1/CSA B125.1

NSF/ANSI 61

NSF/ANSI 372

All applicable US Federal and State material regulations

DOE - Energy Policy Act 1992

California Energy Commission (CEC)

ADA

ICC/ANSI A117.1

CSA B651




KOHLER® Faucet Lifetime Limited Warranty

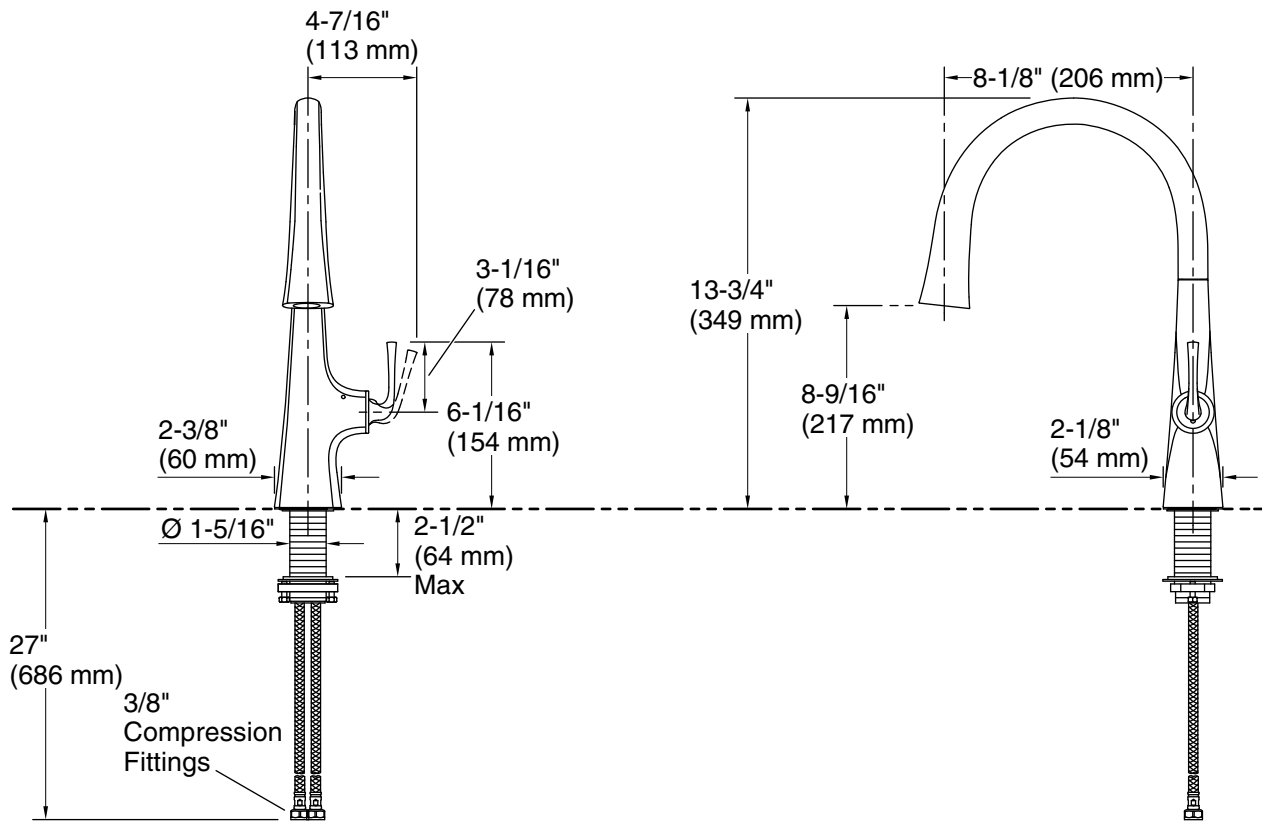
See website for detailed warranty information.

Available Colors/Finishes

Color tiles intended for reference only.

Color	Code	Description
-------	------	-------------

	CP	Polished Chrome
	VS	Vibrant® Stainless
	BL	Matte Black



Technical Information

All product dimensions are nominal.

Faucet:

Flow rate: 1.5 gal/min (5.7 l/min)

Pressure: 60 psi (4.1 bar)

Drain included: No

Spout:

Spout reach: 8-1/8" (206 mm)

Notes

Install this product according to the installation instructions.

ADA, CSA B651 compliant when installed to the specific requirements of these regulations.