

## Features

- Fits most round-front toilets
- Compact design is just over 5" high
- Hybrid heater technology provides instant and unlimited warm water for consistent comfort
- Stainless steel wand is automatically cleaned before and after each use
- Separate front and rear nozzles for maximum comfort and personalization
- Adjustable nozzle position, water temperature, and water pressure
- Oscillating wash covers a wider area of cleansing
- Turbo setting produces a massaging effect as water moves back and forth
- Air-bubble wash offers a soft, gentle wash with effective cleansing
- Sittable lid for convenience
- Heated seat with three temperature levels and warm-air dryer
- Side-mounted control panel is accessible and easy to use
- Soft-close seat and lid prevent slamming
- Powerful, chemical-free, carbon filter air deodorizer automatically minimizes odors

## Technology

- Infrared (IR) occupied seat sensor with auto shutoff (includes override for use with adaptive devices)
- Two-stage energy-saving feature

## Installation

- Requires dedicated electrical GFCI circuit (120V, 15A, 60Hz)

## Included Components

Additional Components:

- Bolts
- Hoses
- Installation manual
- Mounting plate
- Nuts
- Supply Line
- T-valve
- Washers

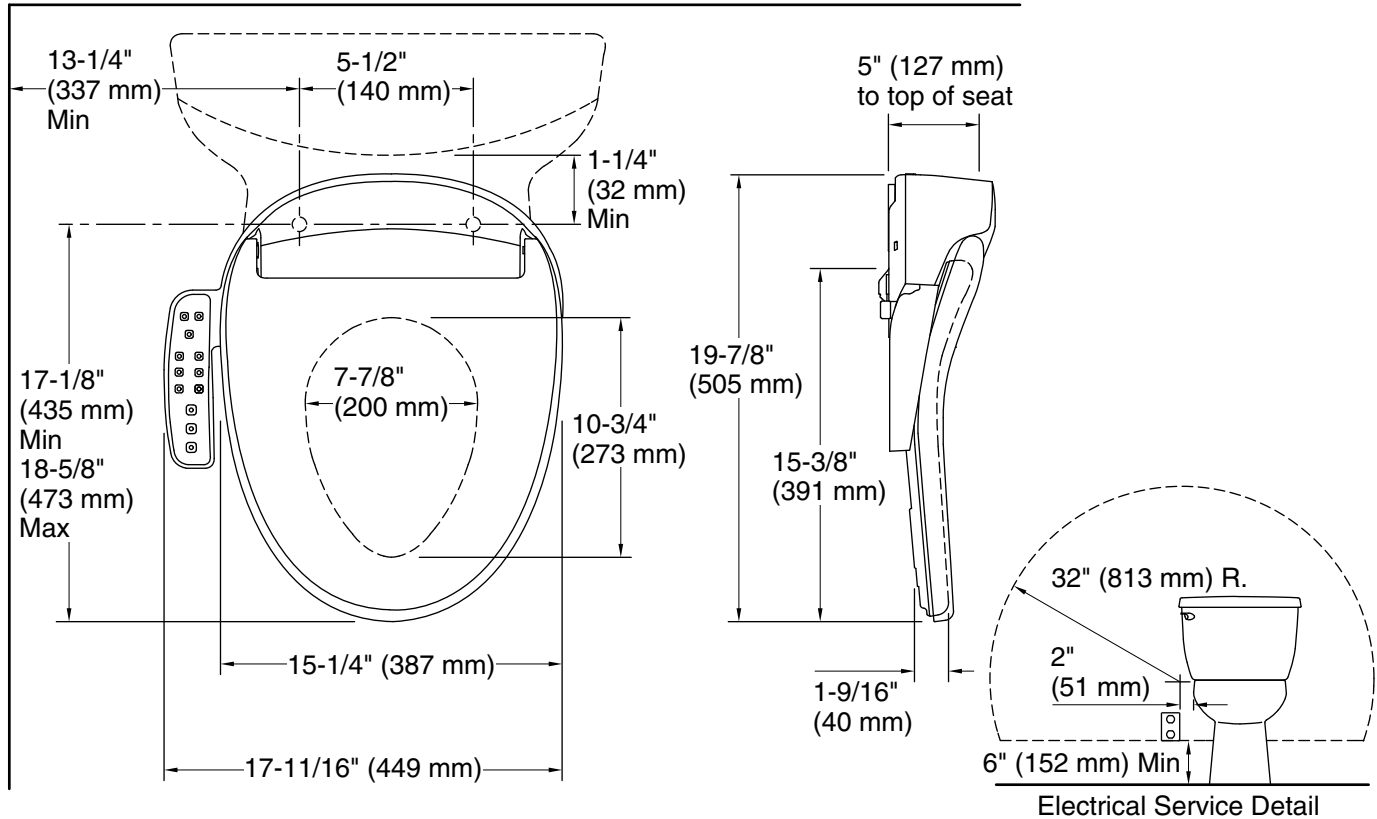


## Codes/Standards

ASME A112.4.2/CSA B45.16  
UL 1431  
CSA C22.2 No. 64  
CSA C22.2 No. 68

## KOHLER® Intelligent Toilet and C3® Cleansing Seat Three-Year Limited Warranty

See website for detailed warranty information.



### Required Electrical Service

One dedicated circuit required, protected with Class A Ground-Fault Circuit-Interrupter (GFCI). Outside North America, this device may be known as a Residual Current Device (RCD).

120 V, 15 A, 60 Hz

### Technical Information

All product dimensions are nominal.

Seat shape type: Round-front  
Seat front type: Closed-front  
Seat-mounting holes: 5-1/2" (140 mm)  
Power cord length: 39" (991 mm)

### Notes

Install this product according to the installation instructions.

Connect the seat to a cold water supply of drinking quality water at a pressure of 20 psi - 80 psi (139 kPa - 551 kPa).

Do not install this seat in a location where: (1) water might be splashed on the product or (2) excessive moisture, high humidity levels, or condensation is present. This will avoid damage to the electronic components.

NOTICE: Do not use an extension cord with this product.

NOTICE: Do not plug in the seat until instructed to do so in the installation guide. This will avoid possible product malfunction.

Locate the receptacle at least 6" (152 mm) above the floor, and within a 32" (813 mm) radius measured 2" (51 mm) from the bowl ledge.