

Features

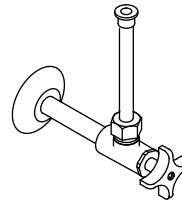
- Brass construction
- Compression valve
- Four-arm handle stop
- Flange

Codes/Standards Applicable

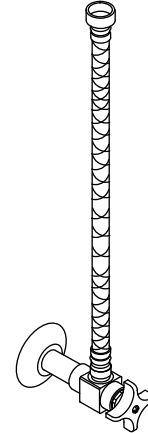
Specified model meets or exceeds the following:

- ASME A112.18.1/CSA B125.1
- NSF 61
- All applicable US Federal and State material regulations

ANGLE SUPPLY WITH STOP, SINGLE
K-7653
ALSO K-7654



K-7653



K-7654

Colors/Finishes

- CP: Polished Chrome
- PB: Vibrant® Polished Brass
- Other: Refer to Price Book for additional colors/finishes

Specified Model

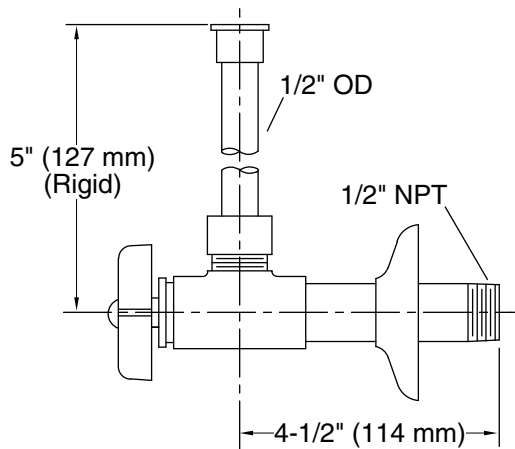
Model	Description	Colors/Finishes		
K-7653	Angle supply with stop, single - rigid connection	<input type="checkbox"/> CP	<input type="checkbox"/> PB	<input type="checkbox"/> Other_____
K-7654	Angle supply with stop, single - flexible hose connection	<input type="checkbox"/> CP		

Product Specification

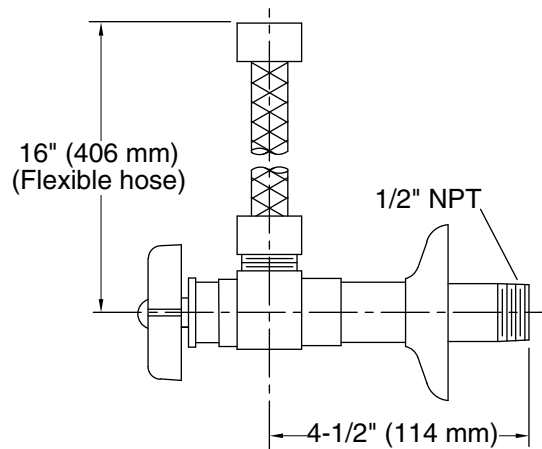
Angle supply with stop shall be made of brass construction. Product shall include a compression valve, flange, four-arm handle stop. Supply (single) shall be Kohler Model K-_____-_____.

Installation Notes

Install this product according to the installation guide.



K-7653



K-7654

Product Diagram