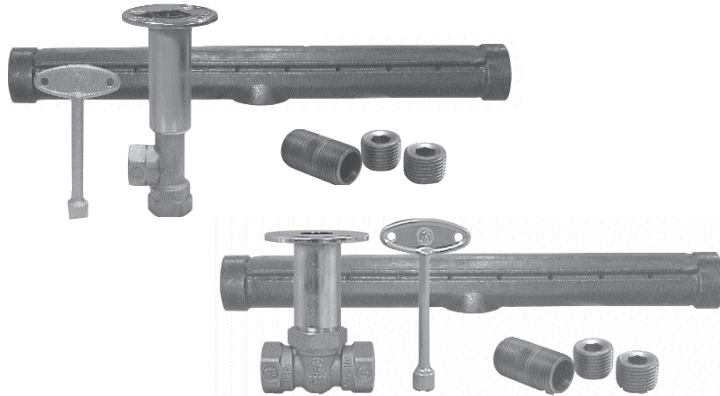


SPECIFICATION SUBMITTAL SHEET

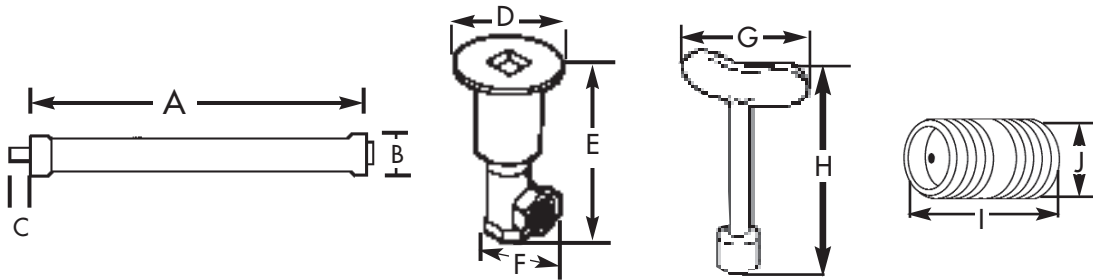
jones stephens corporation

LOG LIGHTER VALVES WITH T-BURNERS



features and benefits:

- Solid brass escutcheon, 1/4" key and close nipple orifice included
- Individually tested (pressure test open and closed after installation)
- Angle: 188,000 BTU /
Straight: 120,000



PART NO.	DESCRIPTION	A	B	C	D	E
<input type="checkbox"/> L75-406	CP angle natural gas	12 1/4"	1 1/4"	1 1/2"	2 1/4"	2 3/4"
<input type="checkbox"/> L75-407	PB angle natural gas	12 1/4"	1 1/4"	1 1/2"	2 1/4"	2 3/4"
<input type="checkbox"/> L75-408	CP straight natural gas	12 1/4"	1 1/4"	1 1/2"	2 1/4"	-
<input type="checkbox"/> L75-409	PB straight natural gas	12 1/4"	1 1/4"	1 1/2"	2 1/4"	2 3/4"
<input type="checkbox"/> L75-400	CP angle LPG	12 1/4"	1 1/4"	1 1/2"	2 1/4"	4"
<input type="checkbox"/> L75-401	PB angle LPG	12 1/4"	1 1/4"	1 1/2"	2 1/4"	2 3/4"
<input type="checkbox"/> L75-402	CP straight LPG	12 1/4"	1 1/4"	1 1/2"	2 1/4"	2 3/4"
<input type="checkbox"/> L75-403	PB straight LPG	12 1/4"	1 1/4"	1 1/2"	2 1/4"	2 3/4"

PART NO.	F	G	H	I	J	K	L
<input type="checkbox"/> L75-406	1 1/4"	2"	3 3/4"	3"	1/2"	-	-
<input type="checkbox"/> L75-407	1 1/4"	2"	3 3/4"	3"	1/2"	-	-
<input type="checkbox"/> L75-408	1 1/4"	2"	3 3/4"	3"	1/2"	4"	2 1/2"
<input type="checkbox"/> L75-409	1 1/4"	2"	3 3/4"	3"	1/2"	3 3/4"	2 5/8"
<input type="checkbox"/> L75-400	1 1/4"	2"	3 3/4"	3"	1/2"	-	-
<input type="checkbox"/> L75-401	1 1/4"	2"	3 3/4"	3"	1/2"	-	-
<input type="checkbox"/> L75-402	1 1/4"	2"	3 3/4"	3"	1/2"	4"	2 5/8"
<input type="checkbox"/> L75-403	1 1/4"	2"	3 3/4"	3"	1/2"	4"	2 5/8"