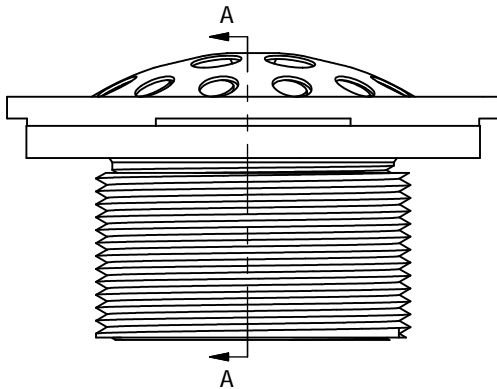
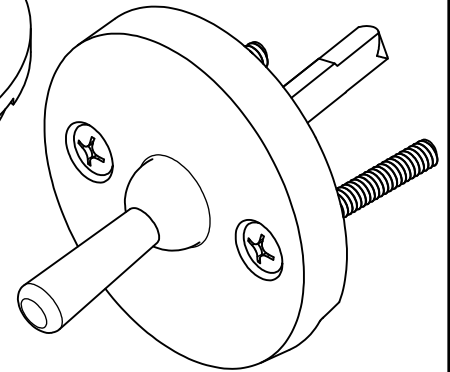
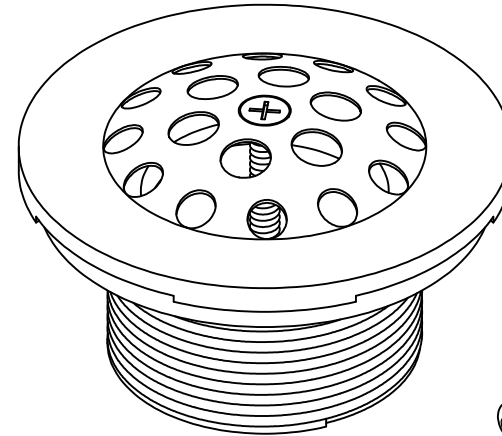
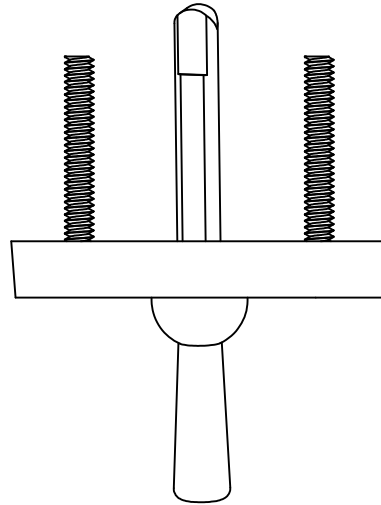
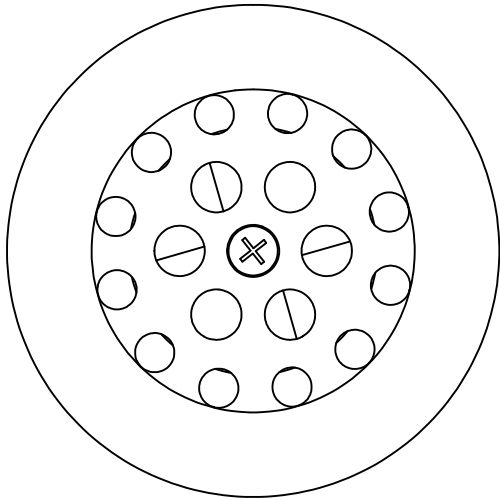
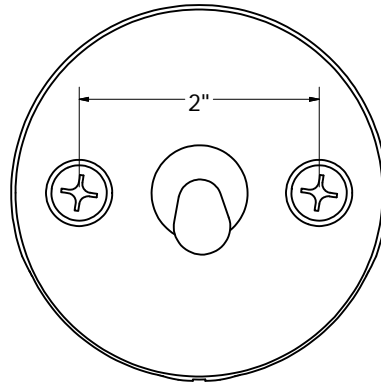


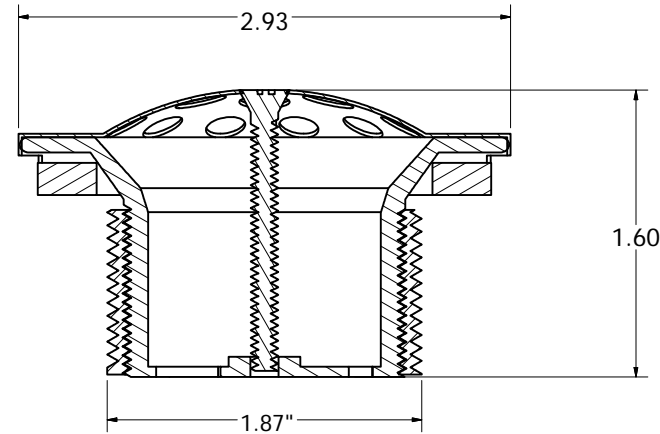
TRIP LEVER CONVERSION KITS



SCALE - 2 : 1



SCALE 1.25 : 1



SECTION A-A
SCALE 1.75



PHONE NUMBER
1-800-355-6637
FAX NUMBER
1-800-462-6991
SCALE _____ DATE 8-19-11
SHEET
1 OF 1
DRAWN BY
ASHLEY KRALOVEC

PART NO.	B51015	B5112AP	B5112BI	B5112BB	B5112BN
#HOLES	2	2	2	2	2
FINISH	CHROME PLATED	ANTIQUE PEWTER	BISCUIT	BRUSHED BRONZE	BRUSHED NICKEL