

PART NO. 1559050 - CHROME PLATED
PART NO. 1559051 - BRUSHED NICKEL
PART NO. 1559051 - OIL RUBBED BRONZE

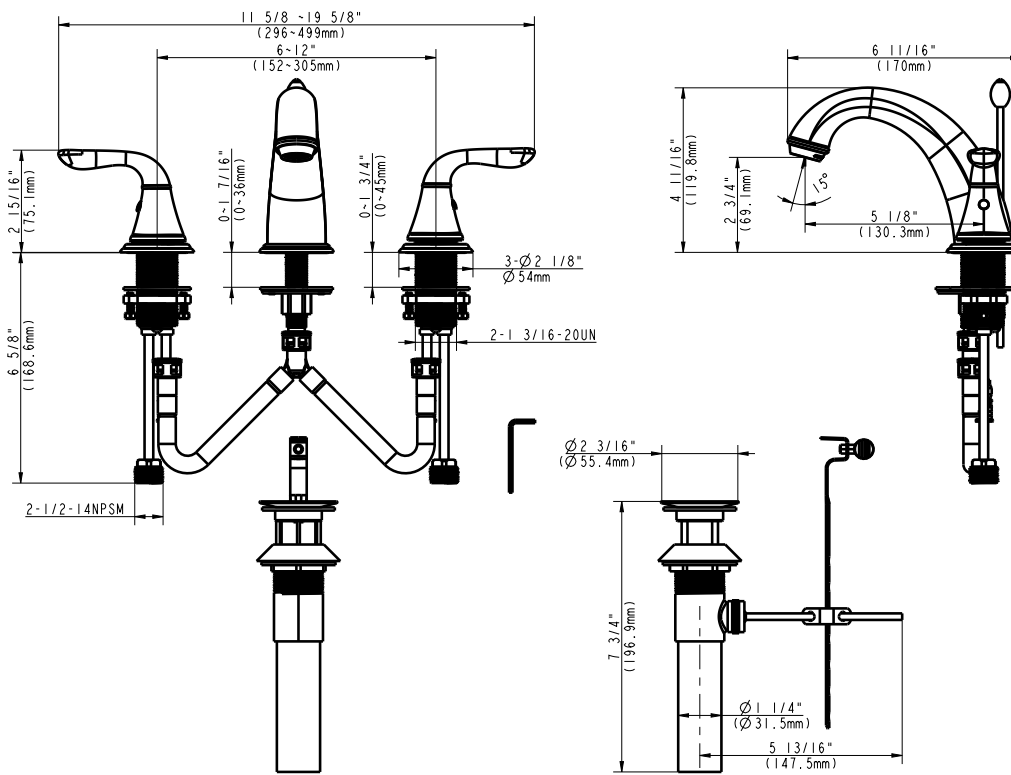


TWO HANDLE WIDE SPREAD FAUCET WITH POP-UP

- Three mounting holes
- Metal threaded shafts
- Ceramic cartridge
- Matching pop-up
- Max Flow Rate 1.2GPM(4.5LPM) at 60PSI (ASME.A112.18.1M)
- Boxed
- Limited lifetime warranty

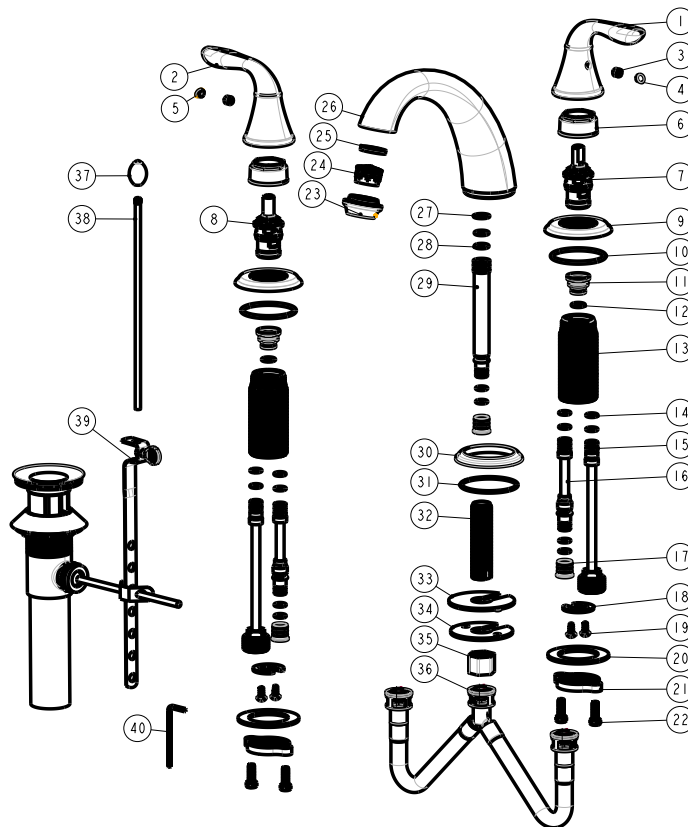
Meets or exceeds the following:

- ANSI/ASME A112.18.1M
- ANSI/NSF 61-Sec.9
- IAPMO/CUPC
- ADA Compliant



PART NO. 1559050 - CHROME PLATED
PART NO. 1559051 - BRUSHED NICKEL
PART NO. 1559052 - OIL RUBBED BRONZE

TWO HANDLE WIDE SPREAD FAUCET WITH POP-UP



| No. | Component Description |
|-----|-----------------------|
| 1 | Cold handle |
| 2 | Hot handle |
| 3 | Screw |
| 4 | Index button |
| 5 | Index button |
| 6 | Lock nut |
| 7 | Cold cartridge |
| 8 | Hot cartridge |
| 9 | Base ring |
| 10 | Gasket |
| 11 | Seat |
| 12 | O-ring |
| 13 | Handle body |
| 14 | O-ring |
| 15 | Inlet pipe |
| 16 | Outlet pipe |
| 17 | Cap |
| 18 | Gasket |
| 19 | Screw |
| 20 | Gasket |
| 21 | Lock ring |
| 22 | Screw |
| 23 | Aerator cover |
| 24 | Aerator |
| 25 | Gasket |
| 26 | Spout |
| 27 | Gasket |
| 28 | O-ring |
| 29 | Connector |
| 30 | Base ring |
| 31 | Gasket |
| 32 | Sleeve |
| 33 | Gasket |
| 34 | Gasket |
| 35 | Lock nut |
| 36 | Connection tube |
| 37 | Knob |
| 38 | Lift rod |
| 39 | Pop up |
| 40 | Hex key |