

**PART NO. 1559020 - CHROME PLATED**  
**PART NO. 1559023 - STAINLESS STEEL**

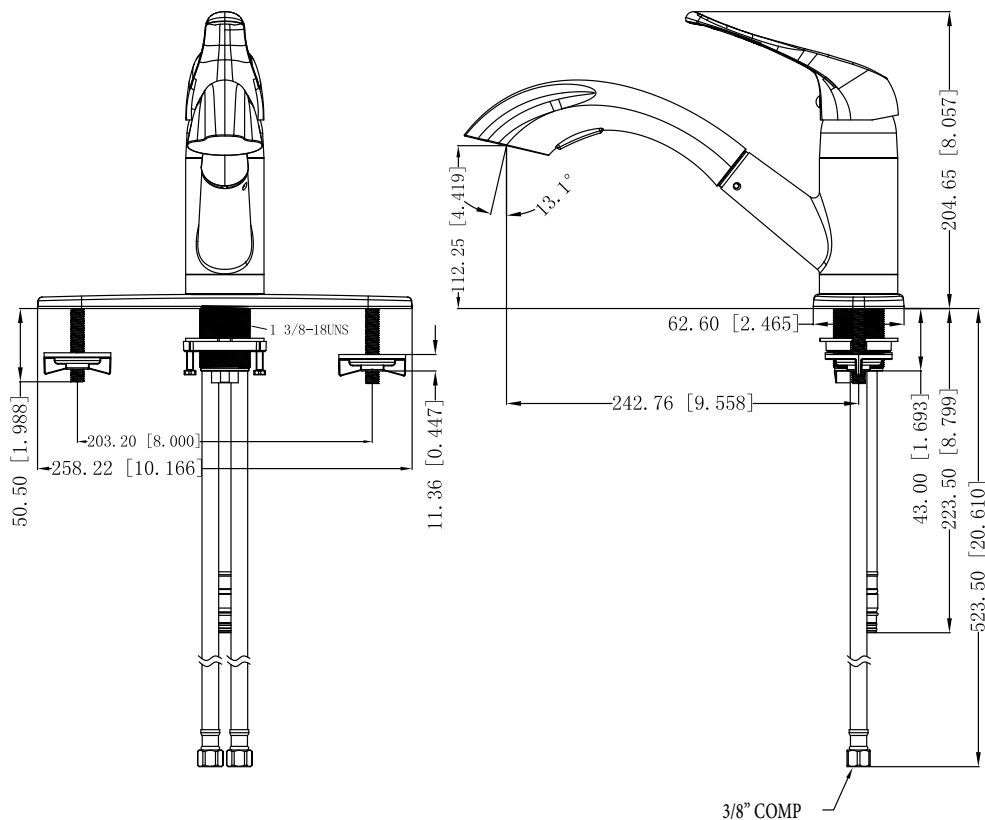


**PULL-OUT FAUCET**

- Ceramic cartridge
- Use with baseplate for 8" 3-hole installation
- Use without base plate for 1-hole installation
- Max Flow Rate 1.8GPM(6.8LPM) at 60PSI (ASME.A112.18.1M)
- Integral stainless steel braided supply lines with 3/8" COMP connection
- Includes matching soap/lotion dispenser
- Boxed
- Limited lifetime warranty

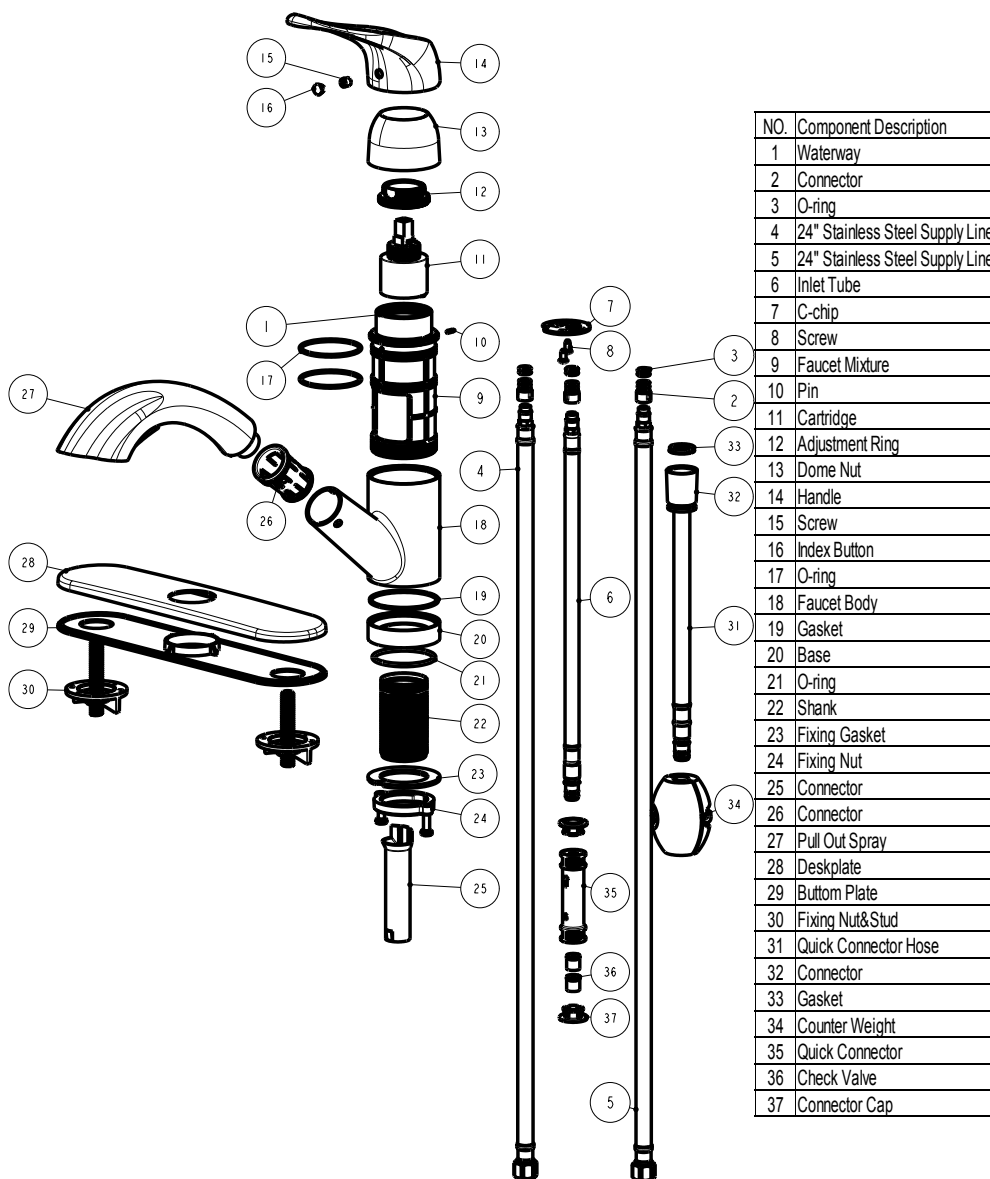
**Meets or exceeds the following:**

- ANSI/ASME A112.18.1M
- ANSI/NSF 61-Sec.9
- IAPMO/CUPC
- ADA Compliant



**PART NO. 1559020 - CHROME PLATED**  
**PART NO. 1559023 - STAINLESS STEEL**

**PULL-OUT FAUCET**



NO.	Component Description
1	Waterway
2	Connector
3	O-ring
4	24" Stainless Steel Supply Line
5	24" Stainless Steel Supply Line
6	Inlet Tube
7	C-chip
8	Screw
9	Faucet Mixture
10	Pin
11	Cartridge
12	Adjustment Ring
13	Dome Nut
14	Handle
15	Screw
16	Index Button
17	O-ring
18	Faucet Body
19	Gasket
20	Base
21	O-ring
22	Shank
23	Fixing Gasket
24	Fixing Nut
25	Connector
26	Connector
27	Pull Out Spray
28	Deskplate
29	Bottom Plate
30	Fixing Nut&Stud
31	Quick Connector Hose
32	Connector
33	Gasket
34	Counter Weight
35	Quick Connector
36	Check Valve
37	Connector Cap