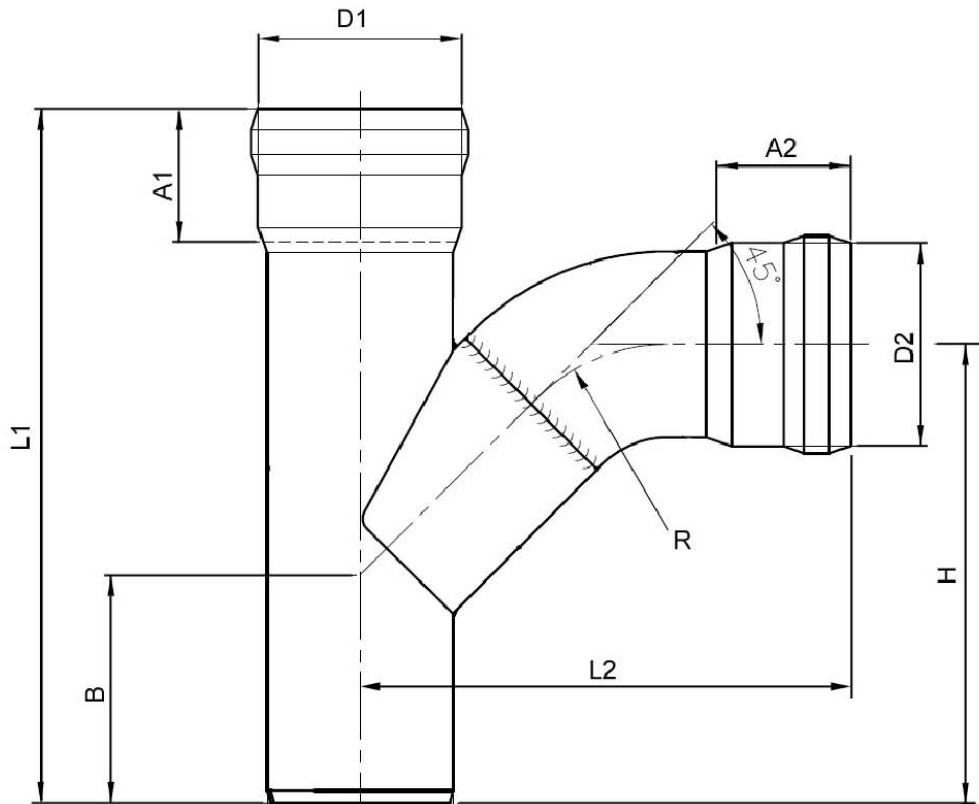


**SPECIFICATION:**

JOSAM PUSH-FIT™ TYPE 316L STAINLESS STEEL FITTING,  
COMBINATION WYE AND 1/8 BEND WITH EPDM GASKETED SOCKETS  
ON TWO ENDS.

**SS FITTING  
PUSH-FIT  
COMB. WYE AND 1/8 BEND**

SERIES **JF**



$R = D2$

PART NO.	NOM. PIPE SIZE	D1 (PIPE OD)	D2 (PIPE OD)	A1 MIN. INSERT DEPTH	A2 MIN. INSERT DEPTH	L1	L2	H	B
JF-1698	2" X 2"	2.1 [53]	2.1 [53]	1.5 [38]	1.5 [38]	7.8 [198]	5.5 [140]	5.2 [131]	2.6 [65]
JF-1700	3" X 2"	2.9 [73]	2.1 [53]	2.2 [55]	1.5 [38]	9.1 [230]	5.9 [150]	5.9 [151]	3.0 [75]
JF-1702	3" X 3"	2.9 [73]	2.9 [73]	2.2 [55]	2.2 [55]	10.0 [255]	7.4 [187]	6.9 [174]	3.3 [85]
JF-1704	4" X 2"	4.0 [102]	2.1 [53]	2.8 [70]	1.5 [38]	10.6 [270]	6.5 [165]	6.5 [166]	3.0 [75]
JF-1706	4" X 3"	4.0 [102]	2.9 [73]	2.8 [70]	2.2 [55]	11.8 [300]	8.0 [202]	7.6 [194]	3.5 [90]
JF-1708	4" X 4"	4.0 [102]	4.0 [102]	2.8 [70]	2.8 [70]	13.2 [335]	9.5 [242]	9.1 [232]	4.3 [110]
JF-1722	6" X 4"	6.3 [159]	4.0 [102]	3.1 [80]	2.8 [70]	14.6 [370]	10.7 [271]	9.4 [240]	3.5 [89]
JF-1726	6" X 6"	6.3 [159]	6.3 [159]	3.1 [80]	3.1 [80]	18.1 [460]	13.7 [347]	13.0 [329]	5.5 [140]

DIMENSIONS IN INCHES [mm] UNLESS OTHERWISE NOTED.

WARNING: Cancer and Reproductive Harm - www.P65Warnings.ca.gov

DATE OF LAST CHANGE: 7/23/18

DIMENSIONS ARE SUBJECT TO MANUFACTURERS TOLERANCES AND CHANGE WITHOUT NOTICE. WE CAN ASSUME NO RESPONSIBILITY FOR USE OF SUPERSEDED OR VOID DATA.



NOTES