

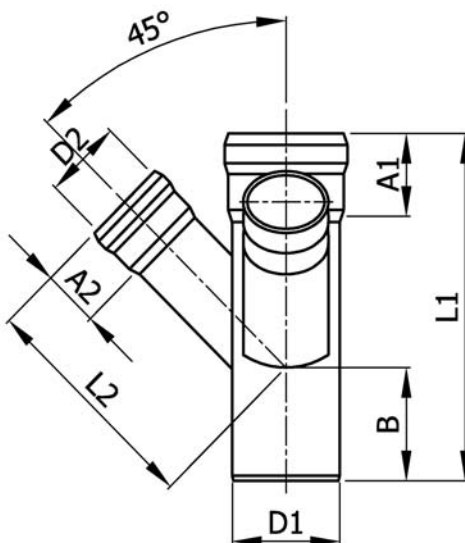
**SPECIFICATION:**

JOSAM PUSH-FIT TYPE 316L STAINLESS STEEL FITTING,  
DOUBLE WYE - 90° OFFSET WITH EPDM GASKETED  
SOCKETS ON THREE ENDS.

**SS FITTING  
PUSH-FIT  
DOUBLE WYE  
90° OFFSET**

SERIES

**JF**



PART NO.	NOM. PIPE SIZE	D1 (PIPE O.D.)	D2 (PIPE O.D.)	A1 MIN. INSERT DEPTH	A2 MIN. INSERT DEPTH	L1	L2	B
JF-1602	2" X 1-1/2"	2.1 [53]	1.7 [42]	1.5 [38]	1.2 [30]	6.1 [168]	4.6 [118]	2.0 [50]
JF-1604	2" X 2"	2.1 [53]	2.1 [53]	1.5 [38]	1.5 [38]	7.4 [188]	5.2 [133]	2.6 [65]
JF-1608	3" X 2"	2.9 [73]	2.1 [53]	2.2 [55]	1.5 [38]	9.1 [230]	6.1 [155]	3.0 [75]
JF-1610	3" X 3"	2.9 [73]	2.9 [73]	2.2 [55]	2.2 [55]	10.0 [255]	6.7 [170]	3.3 [85]
JF-1616	4" X 3"	4.0 [102]	2.9 [73]	2.8 [70]	2.2 [55]	11.8 [300]	8.3 [210]	3.5 [90]
JF-1618	4" X 4"	4.0 [102]	4.0 [102]	2.8 [70]	2.8 [70]	13.2 [335]	8.9 [225]	4.3 [110]
JF-1626	6" X 4"	6.3 [159]	4.0 [102]	3.1 [80]	2.8 [70]	14.6 [370]	10.8 [275]	3.7 [95]
JF-1630	6" X 6"	6.3 [159]	6.3 [159]	3.1 [80]	3.1 [80]	18.1 [460]	12.6 [320]	5.5 [140]
JF-1632	8" X 4"	8.6 [219]	4.0 [102]	4.7 [120]	2.8 [70]	17.5 [445]	13.6 [345]	3.9 [100]
JF-1636	8" X 6"	8.6 [219]	6.3 [159]	4.7 [120]	3.1 [80]	21.3 [540]	15.4 [390]	5.9 [150]
JF-1638	8" X 8"	8.6 [219]	8.6 [219]	4.7 [120]	4.7 [120]	24.4 [620]	16.9 [430]	7.5 [190]

DIMENSIONS IN INCHES [mm] UNLESS OTHERWISE NOTED.

DATE OF LAST CHANGE: 7/20/18

DIMENSIONS ARE SUBJECT TO MANUFACTURERS  
TOLERANCES AND CHANGE WITHOUT NOTICE.  
WE CAN ASSUME NO RESPONSIBILITY FOR  
USE OF SUPERSEDED OR VOID DATA.

**JOSAM**  
MICHIGAN CITY, INDIANA

NOTES

WARNING: Cancer and Reproductive Harm - www.P65Warnings.ca.gov