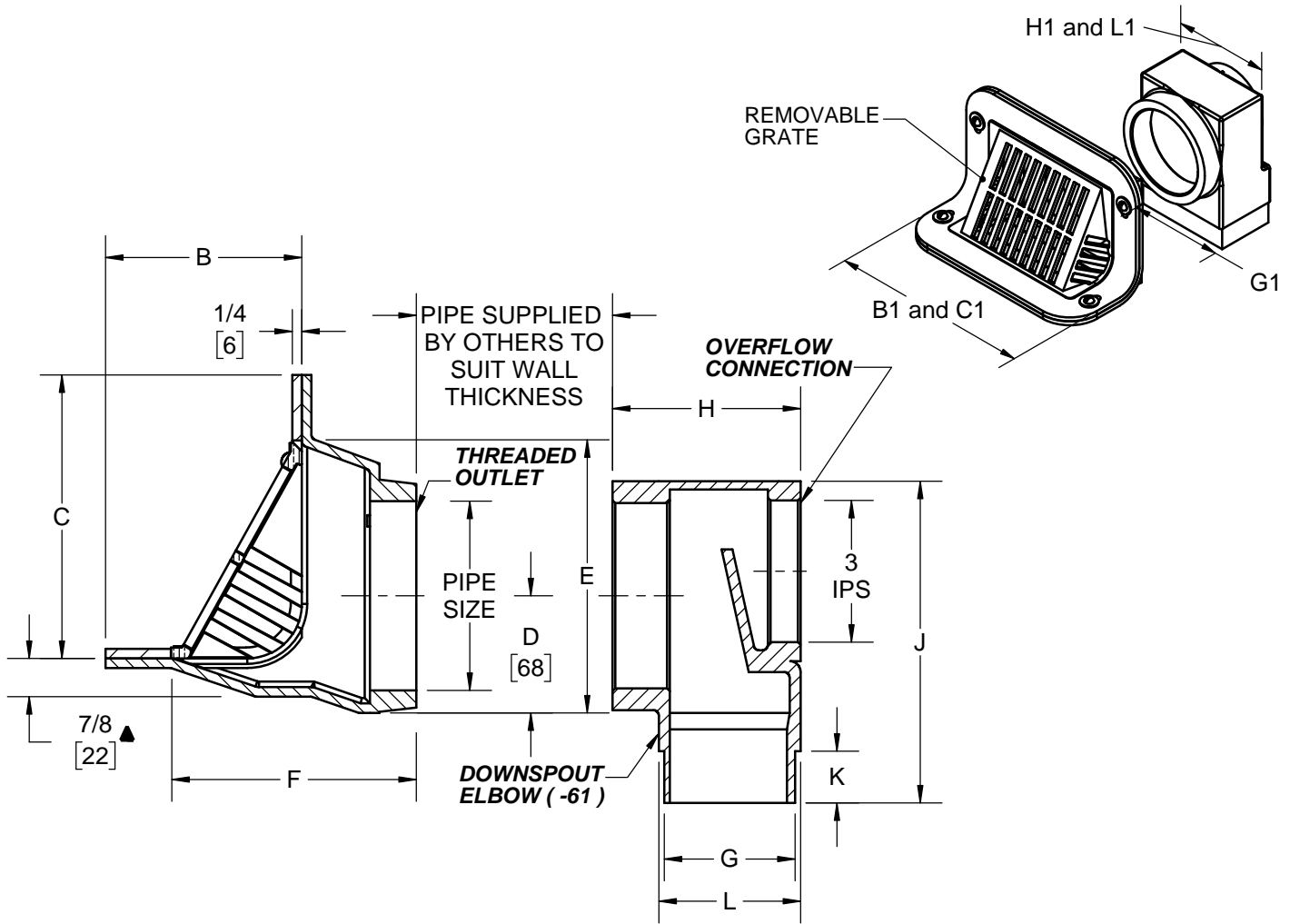


**SPECIFICATION:**

JOSAM 24700 SERIES COATED CAST IRON PARAPET TYPE ROOF DRAIN, REMOVABLE SLOPING BRONZE GRATE, FLASHING CLAMP, SHALLOW SUMP WITH FLASHING FLANGE AND SIDE OUTLET THREADED CONNECTION.

**ROOF DRAIN**  
PARAPET TYPE, SLOPING GRATE

SERIES **24700**



▲ DIM. 1-1/2 ON 5" & 6" SIZES

PIPE SIZE	B x B1	C x C1	D	E	F	G x G1	H x H1	J	K	L x L1	GRATE FREE AREA
2"	4-1/2 x 11	6-1/2 x 11	1-1/2	6-3/8	5-5/8	3 x 5-1/8	4-1/8 x 5-1/4	7-3/8	1-1/4	3-1/4 x 5-1/4	19.5 SQ. IN.
3"	4-1/2 x 11	6-1/2 x 11	2-1/8	6-3/8	5-5/8	3 x 5-1/8	4-1/8 x 5-1/4	7-3/8	1-1/4	3-1/4 x 5-1/4	19.5 SQ. IN.
4"	4-1/2 x 11	6-1/2 x 11	2-5/8	6-3/8	5-5/8	3 x 5-1/8	4-1/8 x 5-1/4	7-3/8	1-1/4	3-1/4 x 5-1/4	19.5 SQ. IN.
5"	5-1/2 x 13	7-1/2 x 13	3-1/2	8-1/8	6-5/8	4 x 6-1/8	5 x 7-1/2	10-3/4	1-3/4	4-1/4 x 7-1/2	34.3 SQ. IN.
6"	5-1/2 x 13	7-1/2 x 13	3-1/2	8-1/8	6-5/8	4 x 6-1/8	5 x 7-1/2	10-3/4	1-3/4	4-1/4 x 7-1/2	34.3 SQ. IN.

2"	PIPE SIZE						-22	CAST IRON GRATE
3"	PIPE SIZE						-24	ROUGH NIKALOY GRATE
4"	PIPE SIZE						-45	BODY WITH 45° THREADED OUTLET
5"	PIPE SIZE						-50	SATIN FINISH NIKALOY GRATE
6"	PIPE SIZE						-51	SATIN FINISH BRONZE GRATE
							-61	DOWNSPOUT ELBOW ( CAST IRON )
-20	GALVANIZED CAST IRON PARTS						-61-20	DOWNSPOUT ELBOW ( GALVANIZED )

DATE OF LAST CHANGE: 6/28/18

DIMENSIONS ARE SUBJECT TO MANUFACTURERS TOLERANCES AND CHANGE WITHOUT NOTICE. WE CAN ASSUME NO RESPONSIBILITY FOR USE OF SUPERSEDED OR VOID DATA.

**JOSAM**  
MICHIGAN CITY, INDIANA

NOTES

WARNING: Cancer and Reproductive Harm - www.P65Warnings.ca.gov