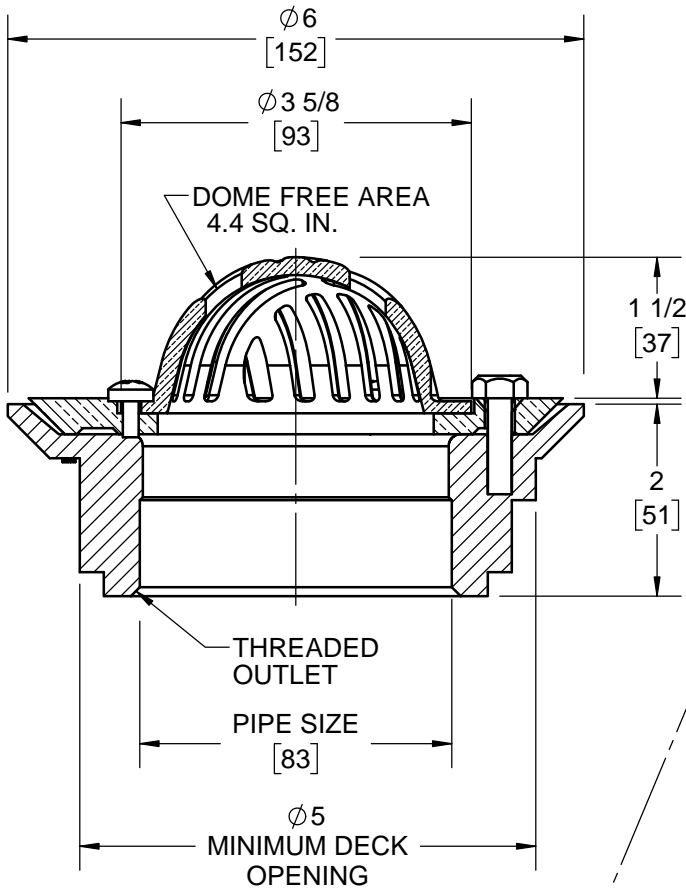
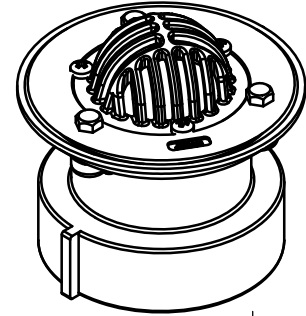
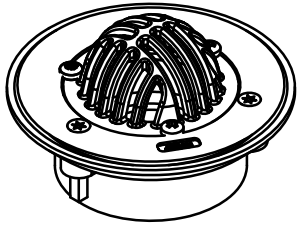


SPECIFICATION:

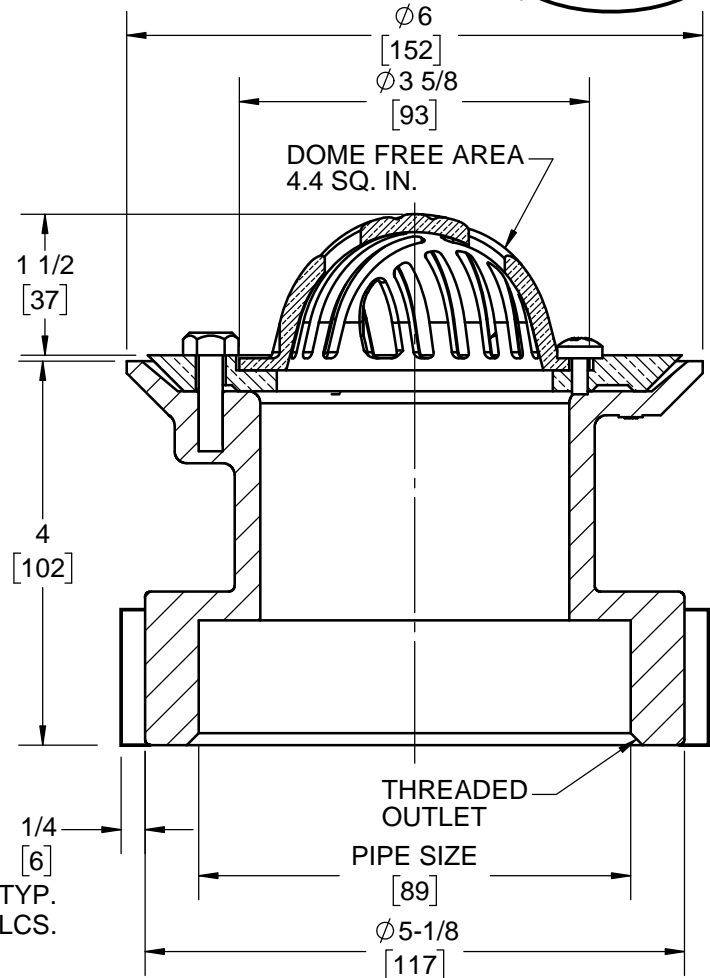
JOSAM SERIES 24500 COATED CAST IRON SILL DRAIN, SECURED LOW BRONZE DOME, BRONZE CLAMP RING, & SHALLOW SUMP WITH FLASHING FLANGE AND BOTTOM THREADED OUTLET CONNECTION.

ROOF DRAIN
SILL TYPE WITH BRONZE DOME

SERIES **24500**



2" & 3" THREADED OUTLET



4" THREADED OUTLET

▼ SEPARATE SUBMITTAL FOR THIS OPTION AVAILABLE

WARNING: Cancer and Reproductive Harm - www.P65Warnings.ca.gov

	2"	PIPE SIZE			-33	STAINLESS STEEL MESH COVERED DOME
	3"	PIPE SIZE		▼	-35	FLAT GRATE (SLOT WIDTH 3/16")
	4"	PIPE SIZE		▼	-45	BODY WITH 45° THREADED OUTLET
					-50	SATIN FINISH NIKALOY TOP
	-20	GALVANIZED CAST IRON PARTS			-51	SATIN FINISH BRONZE TOP
	-24	ROUGH NIKALOY DOME		▼	-90	BODY WITH 90° THREADED OUTLET
▼	-27	HIGH DOME				
					-VP	SECURED DOME

DATE OF LAST CHANGE: 6/28/18
DIMENSIONS ARE SUBJECT TO MANUFACTURERS TOLERANCES AND CHANGE WITHOUT NOTICE. WE CAN ASSUME NO RESPONSIBILITY FOR USE OF SUPERSEDED OR VOID DATA.



NOTES