

SPECIFICATION:

JOSAM 22100 SERIES COATED CAST IRON COMBINATION ROOF DRAIN AND OVERFLOW DRAIN WITH CAST IRON DOMES, WEJLOC® NON-PUNCTURING CLAMP RINGS WITH INTEGRAL GRAVEL STOPS, INTEGRAL CAST IRON STANDPIPE IN CAST IRON DECK FLANGE AND DUAL NO-HUB BOTTOM OUTLETS.

ROOF DRAIN

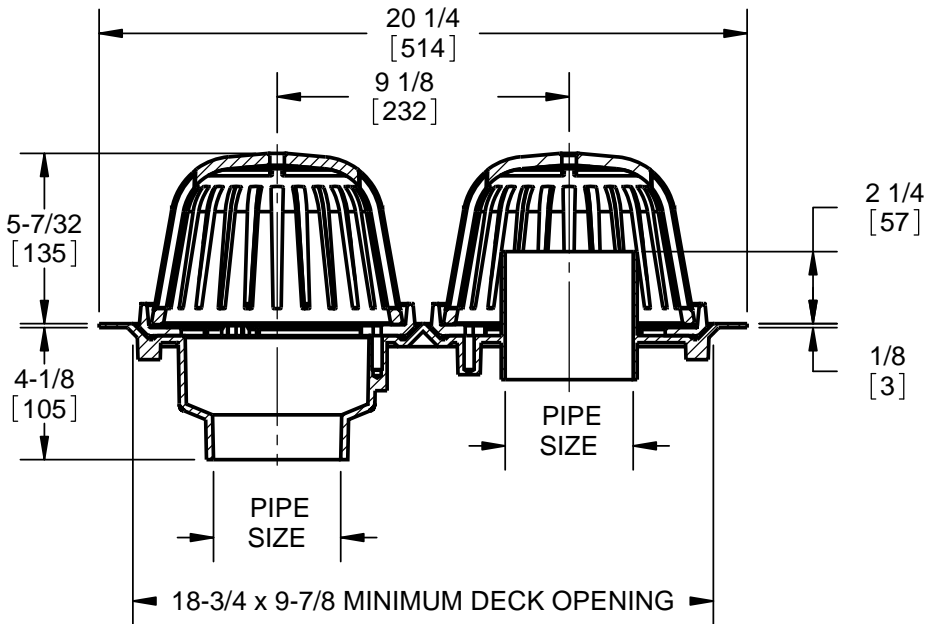
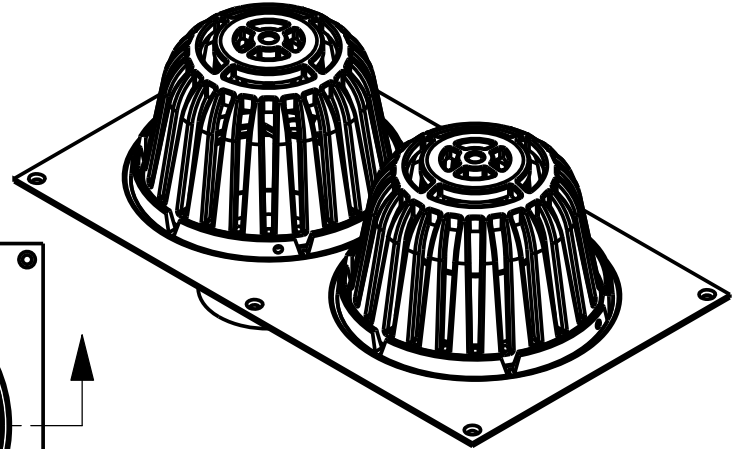
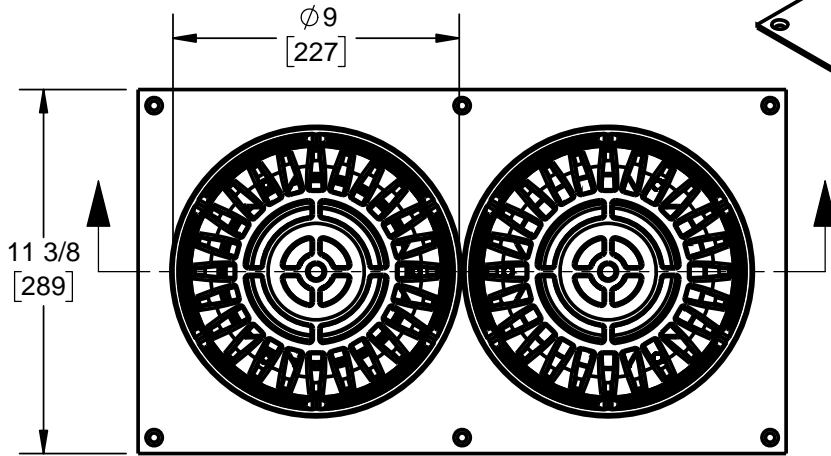
COMBINATION DRAIN/OVERFLOW

SERIES

22100

DOME FREE AREA: 37.6 SQ. IN. (PER DOME)

FORMERLY 22080-Q5 SERIES



** -10 EXTENSION 1" STANDARD

2"	PIPE SIZE	-20	GALVANIZED CAST IRON PARTS
3"	PIPE SIZE	-23	ROUGH BRONZE DOME
4"	PIPE SIZE	-33	STAINLESS MESH SCREEN COVERED DOME
		-IRMA	PEFORATED STAINLESS STEEL EXTENSION
-1	DECK CLAMP ASSEMBLY	-VP	SECURED DOME
-10	FIXED EXTENSION COLLAR, CAST IRON (SPECIFY HEIGHT **)	-21	GALVANIZED CAST IRON DOME ONLY
-19	CLAMP COLLAR W/PERF. STAINLESS STEEL GRAVEL GUARD		

DATE OF LAST CHANGE: 6/26/18

DIMENSIONS ARE SUBJECT TO MANUFACTURERS TOLERANCES AND CHANGE WITHOUT NOTICE. WE CAN ASSUME NO RESPONSIBILITY FOR USE OF SUPERSEDED OR VOID DATA.

JOSAM

MICHIGAN CITY, INDIANA

NOTES