

**SPECIFICATION:**

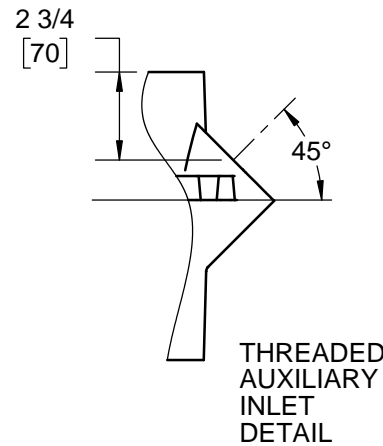
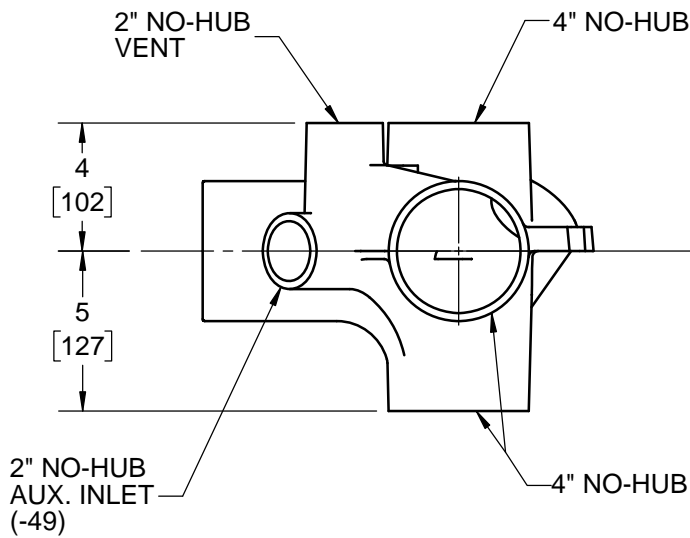
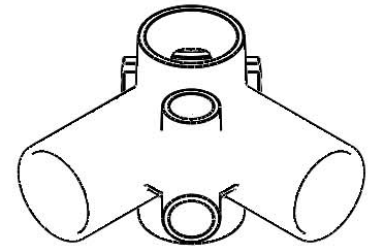
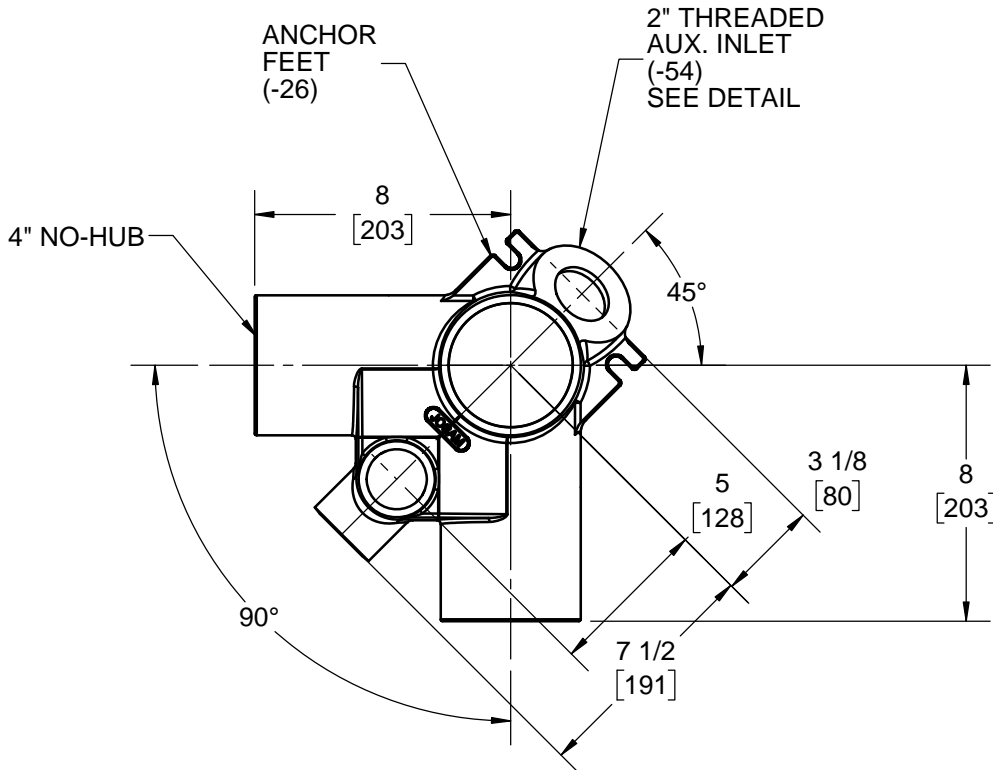
JOSAM 15984 SERIES COATED CAST IRON VERTICAL 4" NO-HUB DOUBLE WASTE 90° STACK FITTING WITH 4" NO-HUB BRANCHES AND 2" NO-HUB VENT.

**CLOSET CARRIER**

90° INSTITUTIONAL FITTING  
NO-HUB

SERIES

**15984**



**OPTIONS:**

-26	FITTING ANCHOR FEET
-49	NO-HUB HIGH AUXILIARY INLET, UNDER VENT
-54	THREADED HIGH AUXILIARY INLET, OPPOSITE VENT

WARNING: Cancer and Reproductive Harm - www.P65Warnings.ca.gov

DATE OF LAST CHANGE: 5/31/18

DIMENSIONS ARE SUBJECT TO MANUFACTURERS TOLERANCES AND CHANGE WITHOUT NOTICE. WE CAN ASSUME NO RESPONSIBILITY FOR USE OF SUPERSEDED OR VOID DATA.

**JOSAM**  
MICHIGAN CITY, INDIANA

NOTES