

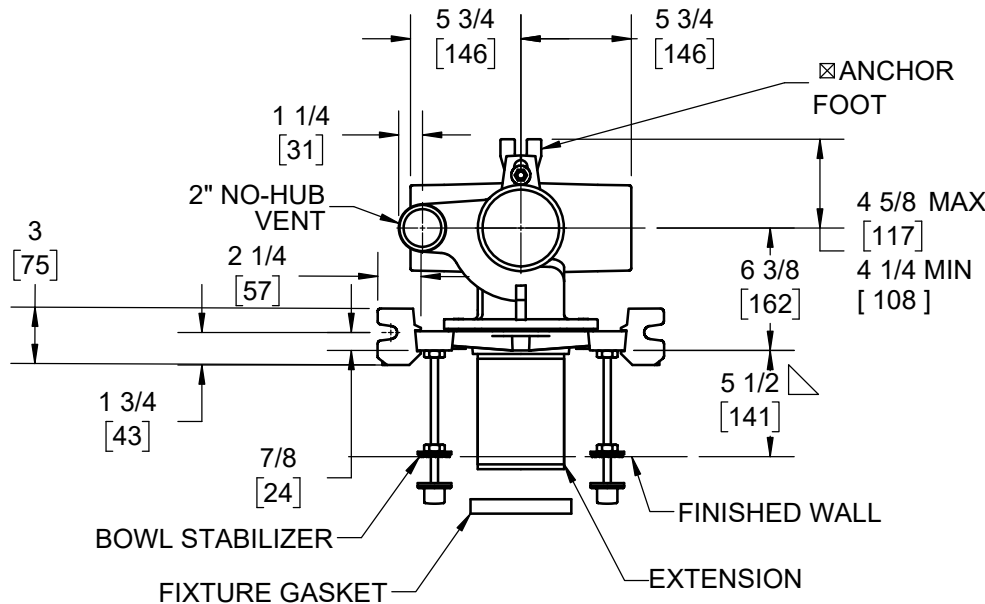
SPECIFICATION:

JOSAM 12704 SERIES COATED CAST IRON SINGLE VERTICAL 4" NO-HUB FITTING WITH 2" NO-HUB LEFT-HAND OFFSET VENT, ADJUSTABLE CARRIER BODY, INVERTIBLE FOR SIPHON JET OR BLOWOUT CLOSETS, WITH ABS EXTENSION WITH INTEGRAL TEST CAP, PYLON FEET, ANCHOR FOOT, PLATED HARDWARE AND NEOPRENE FIXTURE GASKET

**CLOSET CARRIER
VERTICAL WITH LEFT
HAND VENT**

SERIES

12704



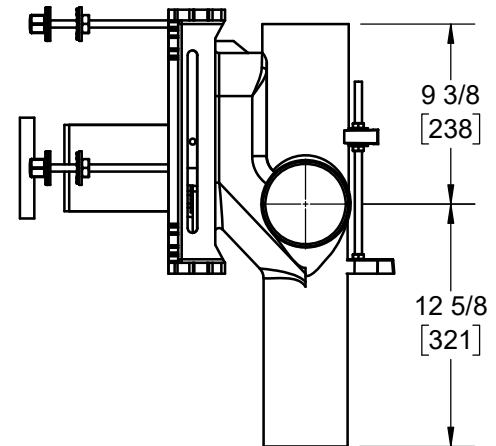
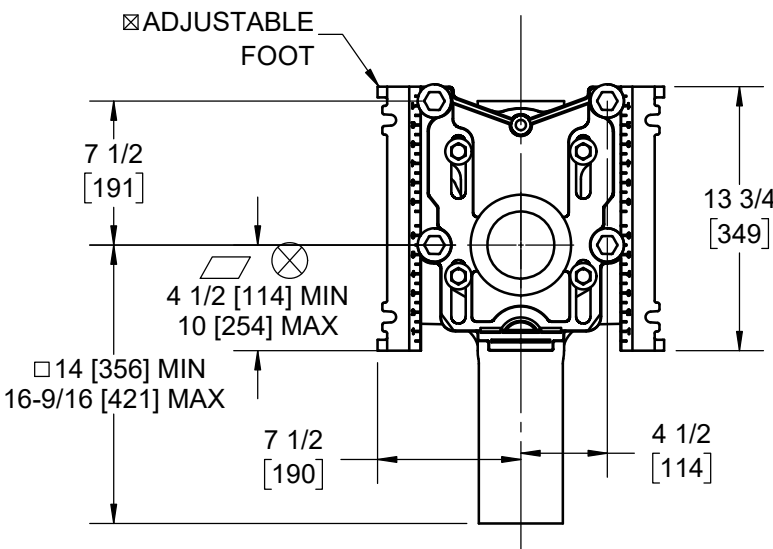
△ FOR DIMENSION SHORTER THAN 5-1/2" (1" MIN) CUT EXTENSION. FOR LONGER EXTENSION (10-1/2" MAX) SPECIFY (-10)

⊠ RECOMMEND FEET BE SECURED TO FLOOR WITH 1/2" BOLTS AND ANCHORS (BY OTHERS).

⊗ FOR SIPHON JET ROUGHING OVER 6" OR BLOWOUT ROUGHING OVER 12-1/2" SPECIFY ON ORDER.

SIPHON JET DIMS SHOWN. FOR BLOWOUT DIMS, USE:

△ MIN 11" & MAX 16-1/2"
⊠ MIN 15-11/16" & MAX 18-1/4"



| | |
|-------|-------------------------------------|
| -PAF | PREFAB ADJUSTABLE FOOT |
| -XSD | EXTRA SPECIAL-DUTY 1,000 LB CARRIER |
| -PF | PYLON FOOT, STD. |
| -OR | O-RING CARRIER |
| -SD | SPECIAL-DUTY 500 LB. CARRIER |
| -HS | HUB & SPIGOT |
| -LH4 | LEFT-HAND 4" NO-HUB BRANCH |
| -HLH4 | LEFT-HAND 4" HUB BRANCH |
| -RH4 | RIGHT-HAND 4" NO-HUB BRANCH |
| -HRH4 | RIGHT-HAND 4" HUB BRANCH |
| -D4 | DOUBLE 4" NO-HUB BRANCHES |
| -HD4 | DOUBLE 4" HUB BRANCHES |
| -VP | VANDAL-PROOF TRIM |

| | |
|-------|--|
| -1 | POSITIONING FRAME |
| -6 | SUPPLY PIPE SUPPORT (SPECIFY TYPE OF PIPE) |
| -10 | ABS EXTENSION THROUGH 10-1/2" WALL |
| -24 | FLOOR MOUNTED BACK OUTLET CHINA BOWL |
| -30 | CAST IRON ADJ. EXTENSION W/ CONNECTOR |
| -30-2 | CAST IRON ADJ. EXTENSION W/ CONNECTOR & TEST CAP |
| -32 | CARRIER FOR WIDE CHASE INSTALLATIONS |
| -35 | CARRIER FOR WHEELCHAIR HIGH ROUGH |
| -49 | NO-HUB AUXILIARY INLET, UNDER VENT |
| -50 | NO-HUB AUXILIARY INLET, OPPOSITE VENT |
| -53 | THREADED AUXILIARY INLET, UNDER VENT |
| -54 | THREADED AUXILIARY INLET, OPPOSITE VENT |

WARNING: Cancer and Reproductive Harm - www.P65Warnings.ca.gov

DATE OF LAST CHANGE: 4/20/21

DIMENSIONS ARE SUBJECT TO MANUFACTURERS TOLERANCES AND CHANGE WITHOUT NOTICE. WE CAN ASSUME NO RESPONSIBILITY FOR USE OF SUPERSEDED OR VOID DATA.

JOSAM
MICHIGAN CITY, INDIANA

NOTES