

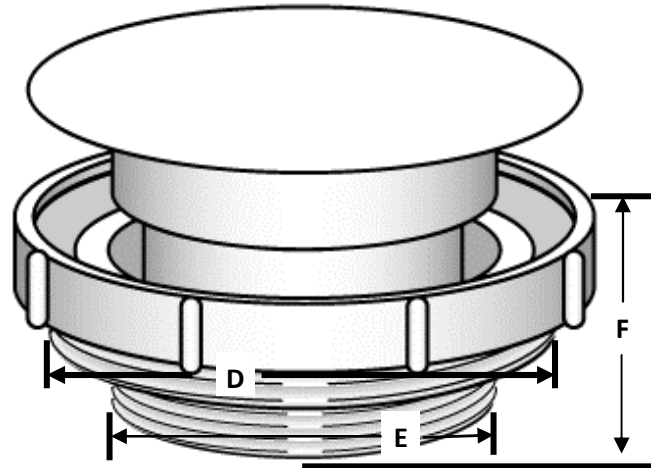
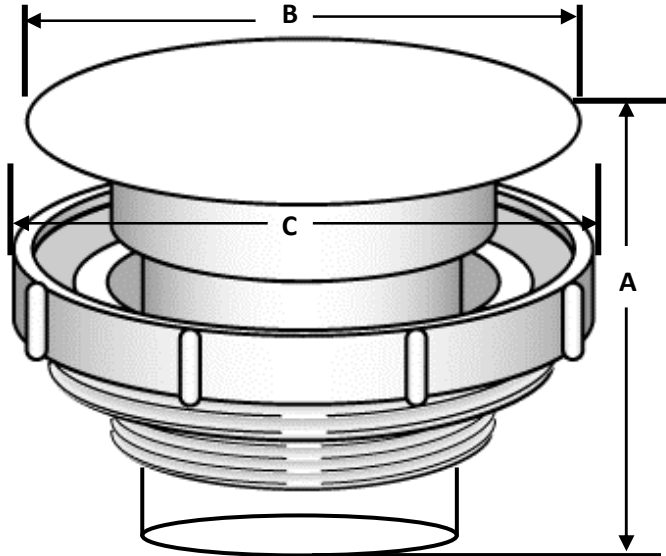
# SPECIFICATION SUBMITTAL SHEET



## Pop Valve™ Relief Valve

Job Name: \_\_\_\_\_  
 Job Location: \_\_\_\_\_  
 Engineer: \_\_\_\_\_  
 Approval: \_\_\_\_\_

Contractor: \_\_\_\_\_  
 Approval: \_\_\_\_\_  
 Contractor's PO#: \_\_\_\_\_  
 Representative: \_\_\_\_\_



DIMENSIONAL DATA					
A (OVERALL HEIGHT)	B (TOP OF POPPER)	C (TOP)	D (THREADS)	E (THREADS)	F (HEIGHT)
3-1/2"	4-5/8"	5"	4"	3"	1-3/4"

### Specifications

Automatic relief valve for sewer cleanout riser

For standard 3" or 4" cleanout connections

Constructed of white PVC

Threaded unit compatible with PVC or ABS tapped adapter

Meets Southern Building Code Section 301.10, Principle No. 10

Meets ASTM Standard D-2665

IPS Part #	AB&A Model	Model #	Units/Case
86010	Pop Valve Relief Valve	RSP1	12

