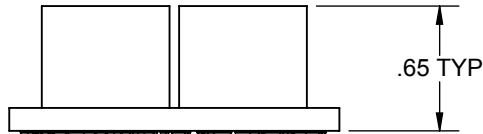
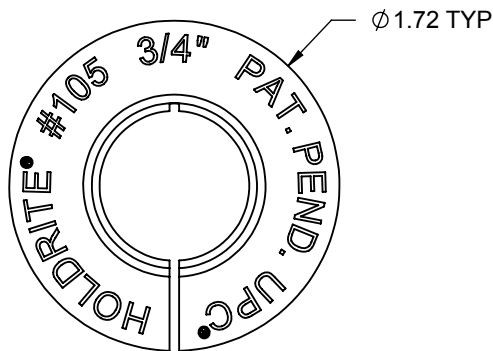


PRODUCT SPECIFICATION DRAWING

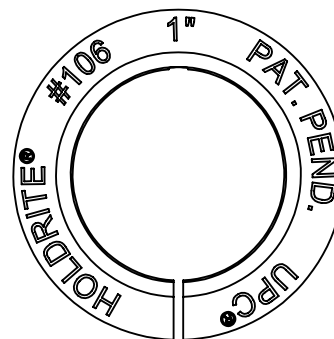
HOLDRITE® #105 & 106 INSERTS



ALL DIMENSIONS IN INCHES



#105 (3/4" CTS)



#106 (1" CTS)

The **HOLDRITE #105** and **#106** inserts are designed to work with **HOLDRITE #103, #121, #709** and **#125** series brackets. For **Copper, PEX** and **CPVC** tube. These inserts grip the tubing firmly and thus are ideal at fixture stub-out locations.

Product Information:

- Material: Polyethylene, purple
- Temperature range: -10°F to +150°F
- UPC / IPC / IAPMO listed



THIS INFORMATION IS PROPRIETARY TO HOLDRITE AND IS SUBJECT TO CHANGE WITHOUT NOTICE. IT MAY NOT BE REPRODUCED IN PART OR WHOLE WITHOUT WRITTEN AUTHORIZATION.



Product Submittal	
Job Name:	
Date:	
Part Number:	Qty:
Architect / Owner:	
Contractor:	
Notes:	