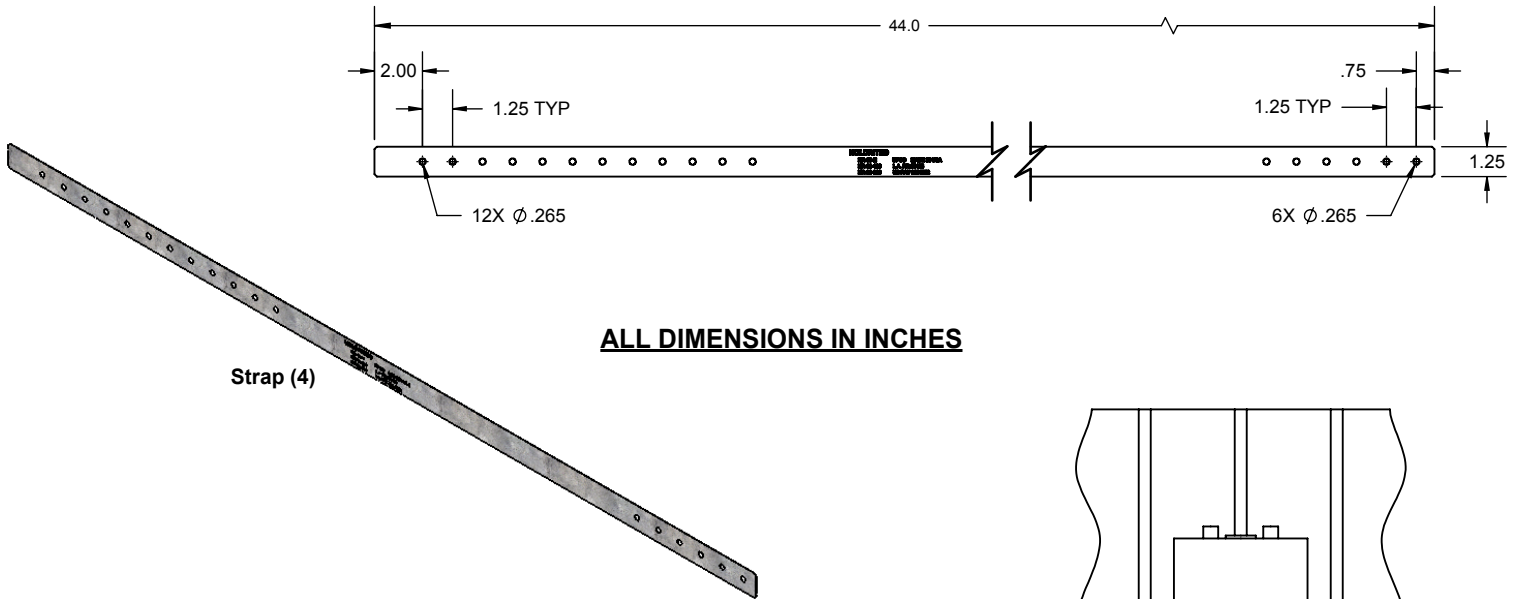


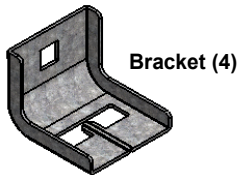
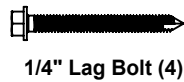
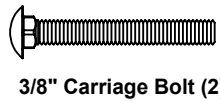
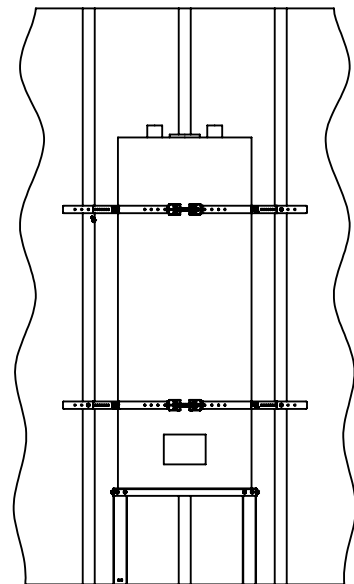
# PRODUCT SPECIFICATION DRAWING

## HR-80-180

**Seismic support for water heaters up to 80 Gallons**



**ALL DIMENSIONS IN INCHES**



The HR-80-180 is a seismic/earthquake support system for water heaters up to 80 U.S. gallons in size. The system includes: (4) 44" Straps, (4) Brackets, (2) 3/8" Flat Washers, (2) 3/8" Carriage Bolts, (2) 3/8" Hex Nuts, (4) 1/4" Lag Bolts and (4) 1/4" Oversized Flat Washers.

THIS INFORMATION IS PROPRIETARY TO HOLDRITE AND IS SUBJECT TO CHANGE WITHOUT NOTICE. IT MAY NOT BE REPRODUCED IN PART OR WHOLE WITHOUT WRITTEN AUTHORIZATION.



Product Submittal	
Job Name:	
Date:	
Part Number:	Qty:
Architect / Owner:	
Contractor:	
Notes:	