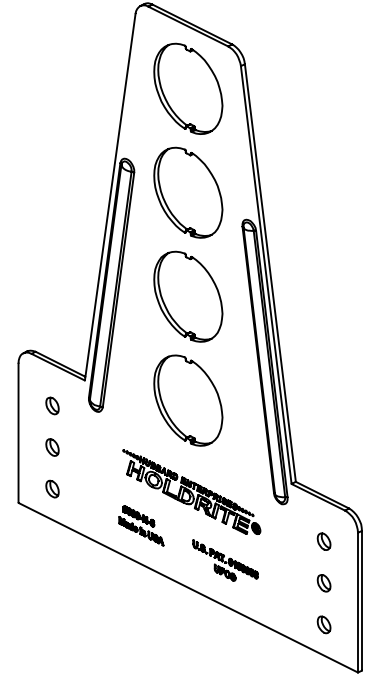
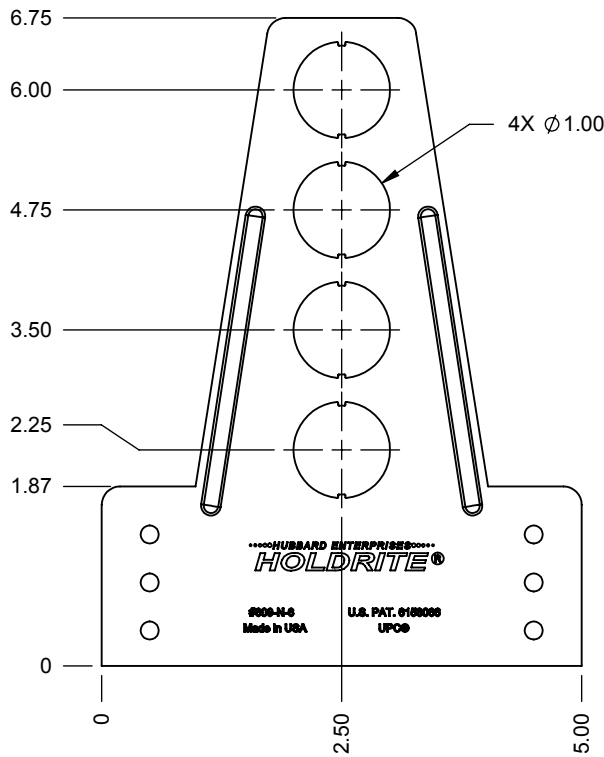


PRODUCT SPECIFICATION DRAWING

LOCKRITE™ #609-N-6 Bracket



ALL DIMENSIONS IN INCHES

The LOCKRITE™ #609-N-6 is a 16 gage galvanized steel bracket with 1" hole on 1-1/4" centers. Ideal for toilets or hose bib stub-outs. Also serves as a nail plate. This bracket is designed to work exclusively with our glueable HOLDRITE® #604 (1/2") or #605 (3/4") inserts when installing CPVC tubing. Inserts snaps into bracket.

Product Information:

- Material: 16 gage CRS, galvanized
- Load rating: 25 pounds
- UPC / IPC / IAPMO listed



THIS INFORMATION IS PROPRIETARY TO HOLDRITE AND IS SUBJECT TO CHANGE WITHOUT NOTICE. IT MAY NOT BE REPRODUCED IN PART OR WHOLE WITHOUT WRITTEN AUTHORIZATION.



CONVERTING MAKESHIFT METHODS INTO ENGINEERED SOLUTIONSSM
 800-321-0316 OR 760-744-6944 / FAX: 760-744-0507 / WWW.HOLDRITE.COM
 spec_609-N-6_RevG

Product Submittal	
Job Name:	
Date:	
Part Number:	Qty:
Architect / Owner:	
Contractor:	
Notes:	