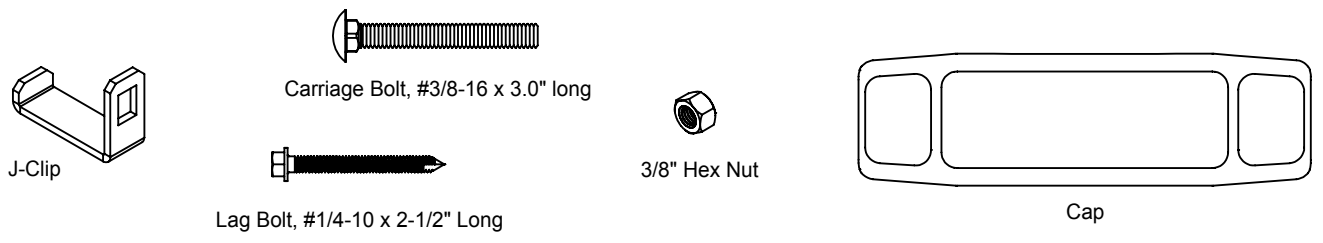
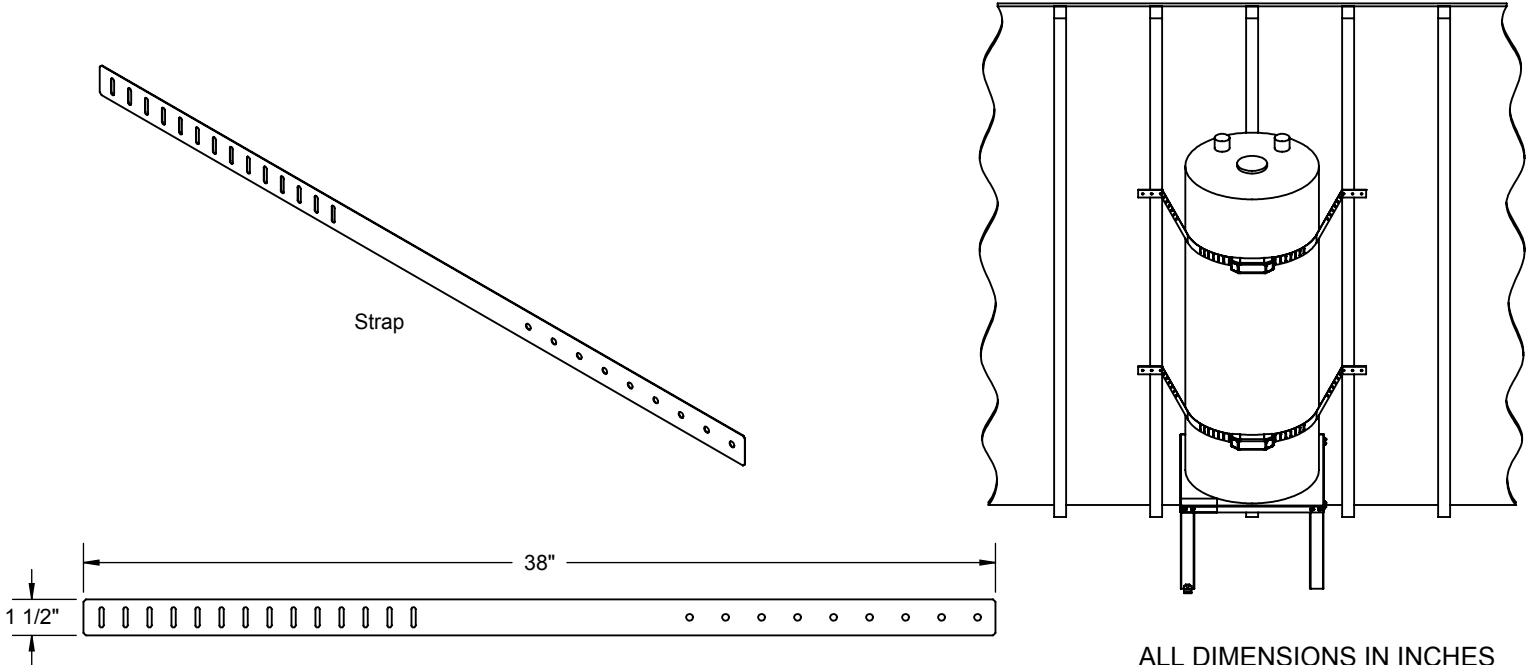


# PRODUCT SPECIFICATION DRAWING

## QUICK STRAP® #QS-50-D

### Seismic support for water heaters



**The QUICK STRAP® #QS-50-D is a seismic/earthquake support system for water heaters up to 80 U.S. gallons in size. The system includes: (4) Straps, (4) J-Clips, (4) Lag Bolts, (2) 3/8" Carriage Bolts, (2) Caps and (2) 3/8" Hex Nuts. The Quick Link® system allows for full adjustment from the front side of the water heater.**

**Product Information:**

- Material: Strap, 24 gage CRS, galvanized
- Finish: Powder coat, polyester, white texture
- California Division State Architect (DSA) approval #97-010
- UPC / IPC / IAPMO listed



THIS INFORMATION IS PROPRIETARY TO HOLDRITE AND IS SUBJECT TO CHANGE WITHOUT NOTICE. IT MAY NOT BE REPRODUCED IN PART OR WHOLE WITHOUT WRITTEN AUTHORIZATION.



Product Submittal	
Job Name:	
Date:	
Part Number:	Qty:
Architect / Owner:	
Contractor:	
Notes:	