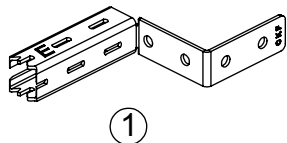
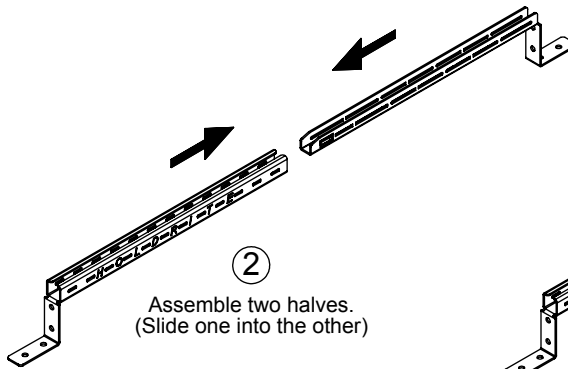


# Installation Instructions

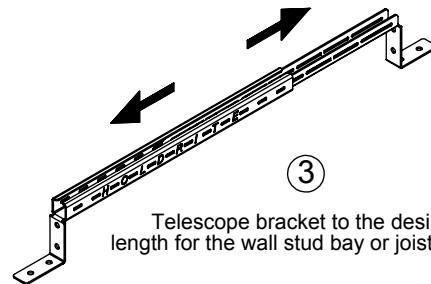
## HOLDRITE Stout Bracket® #SB1 or #SB2



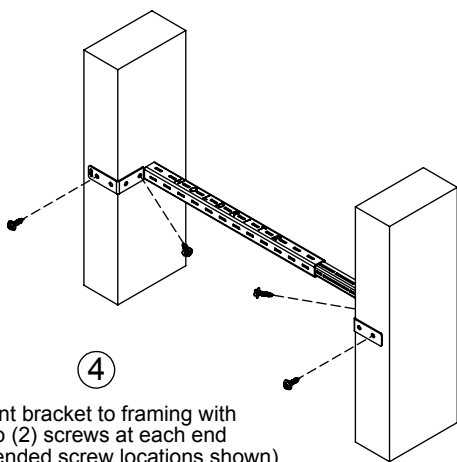
To field assemble:  
Bend the end tabs on the bracket to desired set-back depth, if any (typically 1-1/2" or 2-1/8")



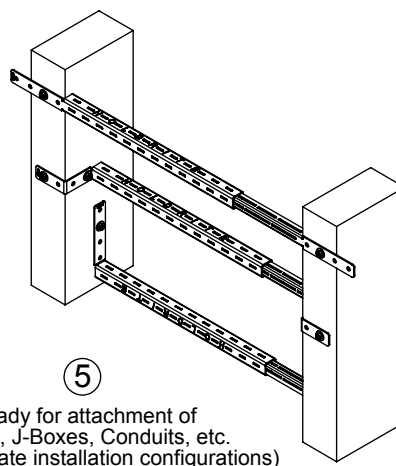
Assemble two halves.  
(Slide one into the other)



Telescope bracket to the desired length for the wall stud bay or joist space.



Mount bracket to framing with two (2) screws at each end (recommended screw locations shown).



Ready for attachment of Tubing, J-Boxes, Conduits, etc. (Note alternate installation configurations)

Model #	Description	Stud Bay Spacing	Ideal Recess Depths
SB1	Galvanized Steel Telescoping Bracket	10" to 16"	1-1/2" or 2-1/8"
SB2	Galvanized Steel Telescoping Bracket	13" to 24"	1-1/2" or 2-1/8"

### WARNING:

1. The buyer and/or installer is responsible for:
  - Application in conformance to local codes.
  - The integrity of structures to which the fasteners is attached, including their capability of safely accepting the load imposed, as evaluated by a qualified engineer. (Product load ratings are shown on the Product's Specification Sheet at [WWW.HOLDRITE.COM](http://WWW.HOLDRITE.COM))
  - Using appropriate industry standard hardware such as sheet metal screws or dry wall screws. #8 x 5/8" self-drilling sheet metal screws are recommended for attaching outlet box to bracket.
2. Failure to observe these Instructions may lead to unsatisfactory product performance, which can result in property damage or bodily injury.

**SAFETY INSTRUCTIONS:** All safety regulations required by the job site must be observed. Special attention should be given to the following instructions. While working on a job site:

1. Wear safety glasses with side shields
2. Wear gloves to avoid splinters and cuts.
3. Be sure power tools are properly grounded.

