

Metropol Classic
Single-Hole Faucet 260 with Pop-Up Drain, 1.2 GPM
 Finishes : **chrome** Part no. : **31303001**



Description

Features

- Aerated spray
- Flow: 1.2 GPM (4.5 L/Min)
- Ceramic cartridge
- Includes pop-up drain

Item details

List Price \$ 521.00

Technology



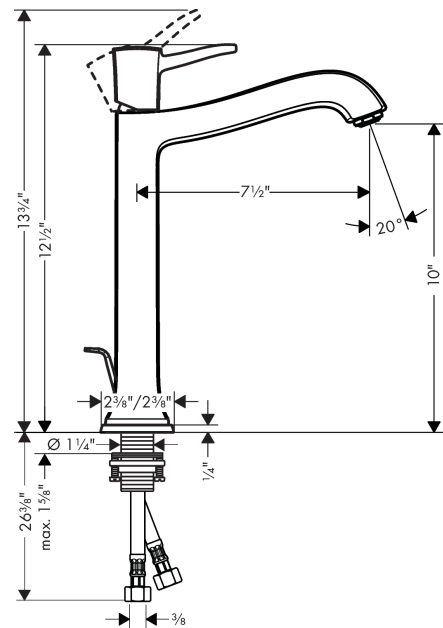
Compliance



Product image



Scale drawing

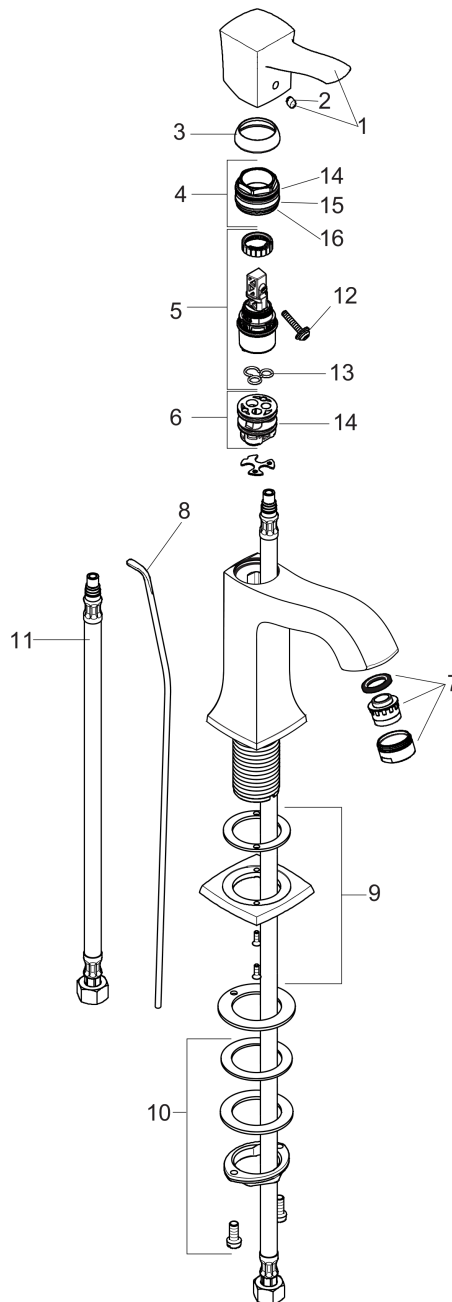


Metropol Classic
Single-Hole Faucet 260 with Pop-Up Drain, 1.2 GPM
 Finishes : **chrome** Part no. : **31303001**



Exploded drawing

Year of production: >01/19



Metropol Classic
Single-Hole Faucet 260 with Pop-Up Drain, 1.2 GPM
 Finishes : **chrome** Part no. : **31303001**



Spare parts list

Year of production: >01/19

| Pos. | Description | Part no. | Price | PU |
|------|-----------------------------------|----------|-------|----|
| 1 | handle | 92815000 | - | 1 |
| 2 | screw cover | 96338000 | - | 1 |
| 3 | flange | 98863000 | - | 1 |
| 4 | nut | 98864000 | - | 1 |
| 5 | cartridge, assy | 95973001 | - | 1 |
| 6 | adapter for cartridge | 98866000 | - | 1 |
| 7 | aerator M24x1 (4,5 l/min) | 92877000 | - | 1 |
| 8 | pull rod | 96657000 | - | 1 |
| 9 | escutcheon for spout | 92814000 | - | 1 |
| 10 | fixing set (Ø 32) | 13961000 | - | 1 |
| 11 | connection hose 35½" M8x0,75 3/8" | 96316001 | - | 1 |
| 12 | locking screw for handle | 95140000 | - | 1 |
| 13 | seal | 98865000 | - | 1 |
| 14 | O-ring 23x2 | 98398000 | - | 1 |
| 15 | O-ring 27x1,5 | 92527000 | - | 1 |
| 16 | O-ring 25x1,5 | 98146000 | - | 1 |
| a | pop up waste | 88509000 | - | 1 |