

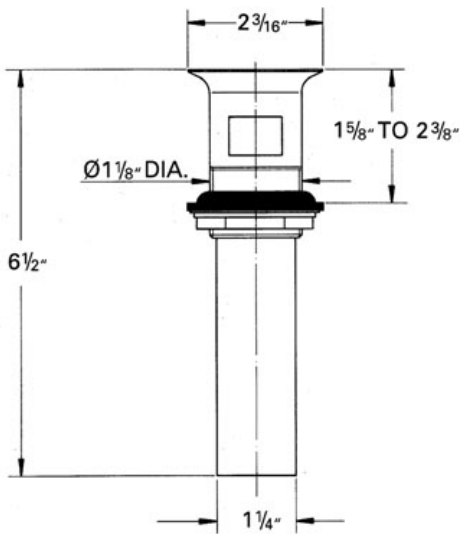
# Lavatory Grid Waste

MODEL # 28951

*Pure Freude an Wasser*



GROHE America, Inc | 200 North Gary Avenue, Suite G, Roselle, IL 60172  
Phone: +1 (800) 444-7643 | Fax: +1 (800) 225-2778 | us-customerservice@grohe.com



**Product Description:**  
Lavatory Grid Waste

**Standard Specification:**  
• GROHE StarLight® finish

**Color:**  
□ 28951 000 chrome