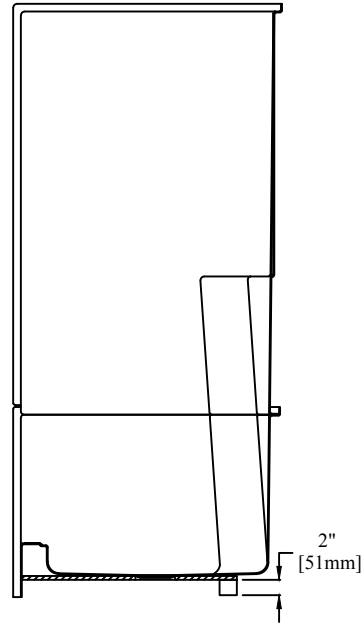
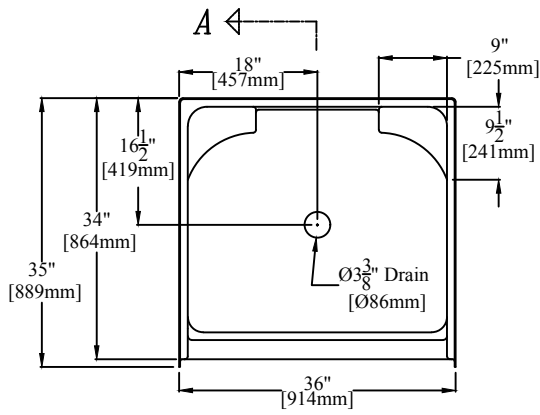


**ELEVATION**



**SECTION "A-A"**



**PLAN**

36" [914mm] 2-Piece Shower  
w/ 7" [178mm] Threshold & Molded Soap Ledges

*CENTER DRAIN*

**PRODUCT SPECIFICATIONS:**

- \* Product complies with NAHB, HUD UM-73A, and ANSI-Z124.1.2.
- \* Product has a Class B fire rating as determined by ASTM E-84 test method.
- \* Reinforced & slip resistant floor.
- \* Integral 1" [25mm] nailing flange.
- \* Molded soap ledges.
- \* Door Opening: W-33 3/8" [848mm]  
H-69" [1753mm]
- \* Shower Floor: W-33 3/8" [848mm]  
D-29 1/4" [743mm]
- \* Accepts Clarion model 936 cap. (Adds 9" [229mm] to the overall height of the unit.)
- \* Available with EZ-Pin System. Model Number becomes (REZ6636).
- \* All dimensions +/- 1/2" [12.8mm]
- \* Clarion Bathware reserves the right to change design and/or dimensions.
- \* Dimensions are the same for RE, MP, and all other versions of this model.

**6636**

**36" [914mm] 2-Piece Shower w/ 7" [178mm] Threshold, Molded Soap Ledges, & Center Drain**

**Clarion**  
 BATHWARE  
 44 Amsler Ave.  
 Shipperville, PA 16254

Phone: (814) 226-5374  
 Toll Free: (800) 576-9228  
 Fax: (814) 226-0730  
 www.clarionbathware.com

Signatures For Approval:

Customer: \_\_\_\_\_  
 Arch./Engr: \_\_\_\_\_

Date:

Quote #: \_\_\_\_\_  
 Job Name: \_\_\_\_\_

Dwg. #  
 6636-CUT

Dwg. By: NMH  
 DATE: 6/5/2017

**\*\*\* IMPORTANT NOTICE \*\*\***

Clarion Bathware reserves the right to change the design and/or dimensions of its products at any time. This drawing may have been updated since this publication was issued. Before placing an order for any product, refer to our website at [www.clarionbathware.com](http://www.clarionbathware.com) to obtain the most current drawings for any products that you wish to purchase. Compare the date of revision of the drawing that you have with the one on the drawing on our website. If you do not have internet access, please call your sales representative or Clarion Bathware's sales department at 1-800-576-9228.